



Automatic Pool Cleaner Parts

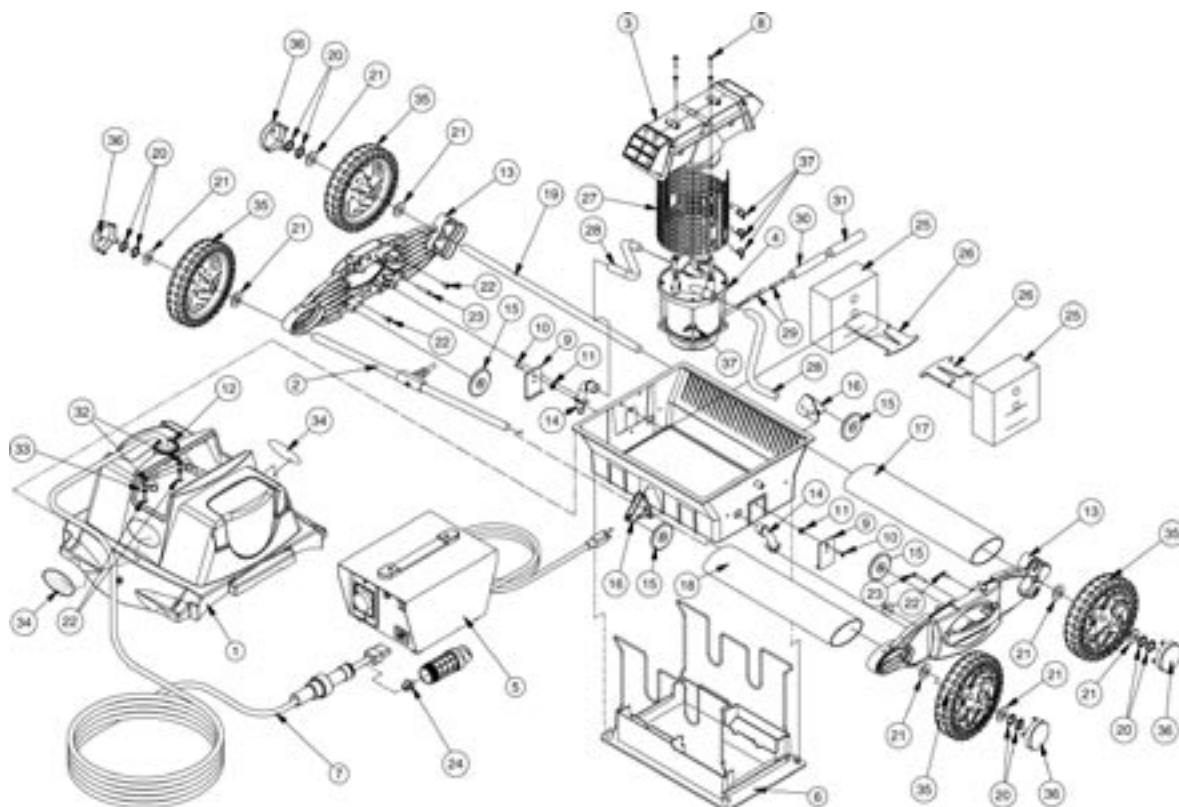


Replacement Parts Automatic Pool Cleaners



Prowler® 710

Replacement Parts



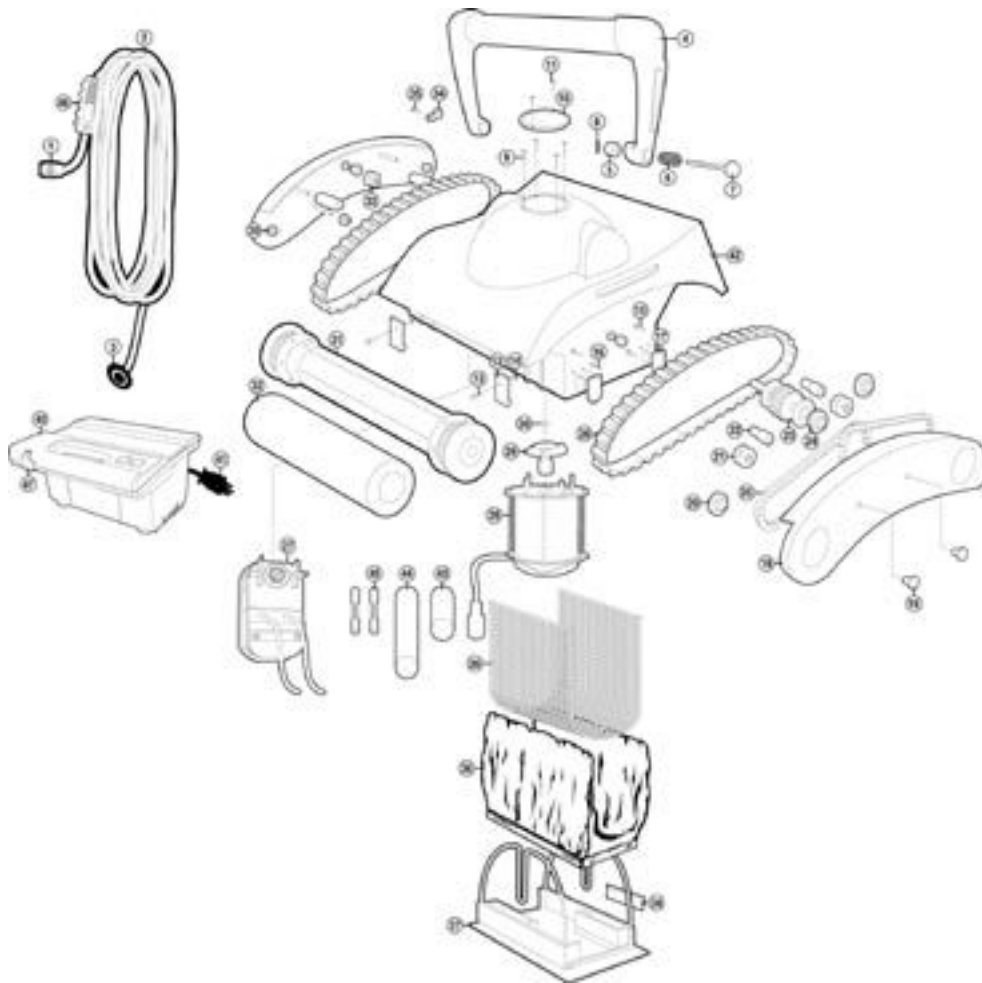
Item No.	Part No.	Description	US List	Can. List
PROWLER 710 REPLACEMENT PARTS				
3	P12144	Valve Housing Assy.	CALL	CALL
4	P12141	Pump Motor Assy.	CALL	CALL
5	P12142	Power Supply	CALL	CALL
7	P12143	Cable Assy., 2 Wire - 51 Ft., Floating 18 Awg (2-PK)	CALL	CALL
8	P12143	Screw 8 X 11-16 Phil Pan Type	CALL	CALL
9	P12149	Lock Tab Finger-roll	CALL	CALL
13	P12151	Side Plate With Jet Bracket Option	CALL	CALL
20	P12148	Clip, S.s. Retaining Star	CALL	CALL
25	P12145	Foam, Aj, Tj, Pr	CALL	CALL
27	P12146	Filter Screen, Jet Units (Complete)	CALL	CALL
28	P12147	Tubing, Vinyl Clear 5-16 Id X 1-2 Od X 1 Ft.	CALL	CALL
29	P12125	Butt Connector, #sb16-14	CALL	CALL
31	P12150	Heat Shrink Tubing Black, 4 Inch	CALL	CALL
NOT SHOWN				
	P12139	Mesh Filter Bag	CALL	CALL
	P12140	Fine Filter Bag	CALL	CALL

Product on page 24.



Prowler® 720

Replacement Parts



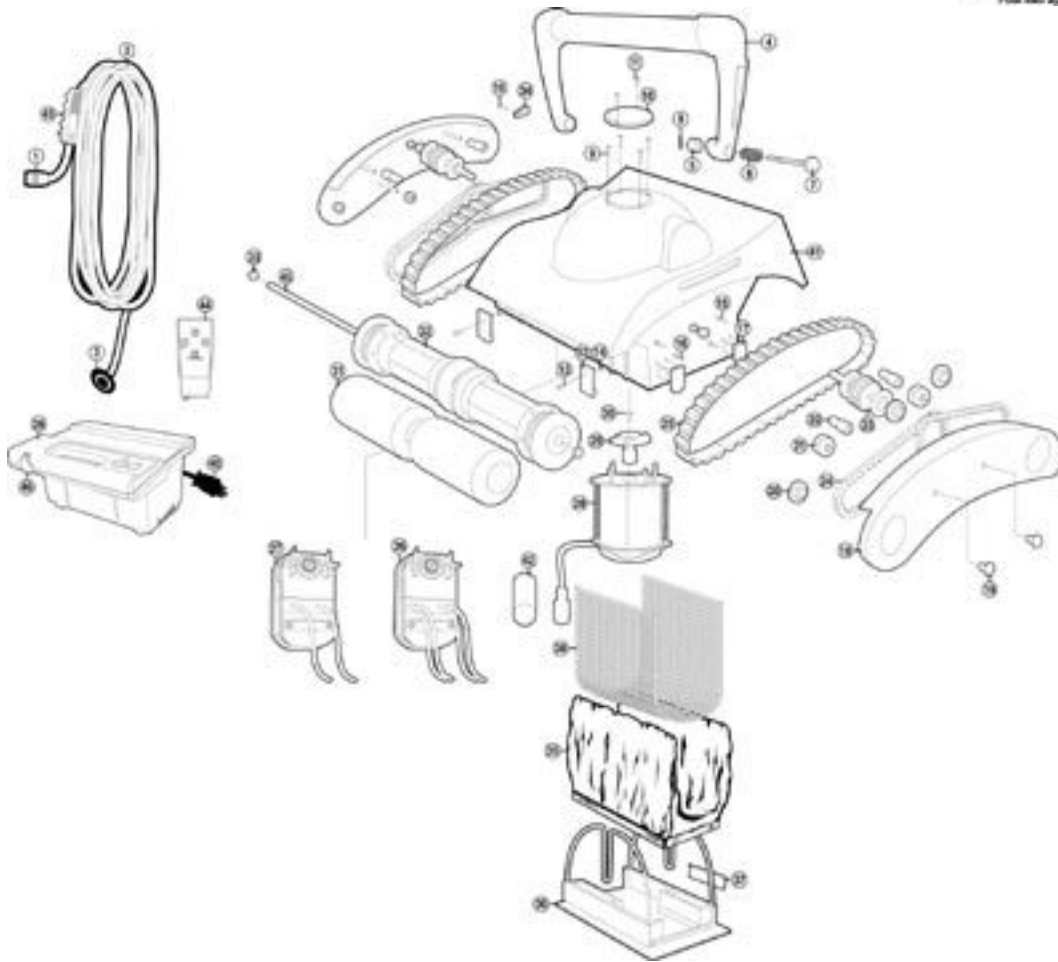
Item No.	Part No.	Description	US List	Can. List
PROWLER 720 REPLACEMENT PARTS				
1	P12100	4 Pin Plug	CALL	CALL
2	P12101	Cable Assy. - Incl. #1 & 45	CALL	CALL
4	P12102	Handle Assy.	CALL	CALL
6	P12103	Spring	CALL	CALL
12	P12104	Lock Tab	CALL	CALL
14	P12105	Nut	CALL	CALL
15	P12106	Screw	CALL	CALL
16	P12107	Screw	CALL	CALL
18	P12108	Side Plate	CALL	CALL
19	P12122	Trim Panel	CALL	CALL
20	P12109	Bushing	CALL	CALL
22	P12133	Sleeve Roller	CALL	CALL
23	P12110	Pulley Assy.	CALL	CALL
25	P12111	Drive Belt	13.53	16.50
26	P12112	Drive Track	29.62	36.14
27	P12113	Drive Motor (1 Hr.) - Incl. #44 & 45	589.25	718.88

Item No.	Part No.	Description	US List	Can. List
28	P12114	Pump Motor - Incl. #43	414.08	505.18
31	P12116	Wheel Tube Assy. - Hex	96.36	117.56
32	P12117	PVA Brush	50.97	62.19
35	P12106	Screw (P-clip)	1.58	1.93
36	P12118	Filter Bag	46.97	57.30
37	P12119	Bottom Lid Assy.	136.02	165.94
39	P12120	Filter Screen	43.00	52.46
40	P12121	Power Supply Assy. (1 Hr.)	385.42	470.21
42	P12115	Body Assy. - Incl. # 14	207.68	253.37
43	P12123	Shrink Tube - 1 Meter	38.22	46.63
44	P12124	Shrink Tube - 1 Meter	38.22	46.63
45	P12125	Butt Connector	1.58	1.93
NOT SHOWN				
	P12160	Caddy - Prowler 720/730	CALL	CALL

Product on page 24.

Prowler[®] 730

Replacement Parts



Automatic Pool Cleaner Parts

Item No.	Part No.	Description	US List	Can. List
PROWLER 730 REPLACEMENT PARTS				
1	P12100	4 Pin Plug	CALL	CALL
2	P12100	Cable Assy. - Incl. #1 & 42	CALL	CALL
4	P12102	Handle Assy.	CALL	CALL
6	P12103	Spring	CALL	CALL
12	P12104	Lock Tab	CALL	CALL
14	P12105	Nut	CALL	CALL
15	P12106	Screw	CALL	CALL
16	P12107	Screw	1.58	1.93
18	P12108	Side Plate	CALL	CALL
19	P12122	Trim Panel	CALL	CALL
20	P12109	Bushing	CALL	CALL
22	P12133	Sleeve Roller	CALL	CALL
23	P12110	Pulley Assy.	CALL	CALL
24	P12111	Drive Belts	13.53	16.50

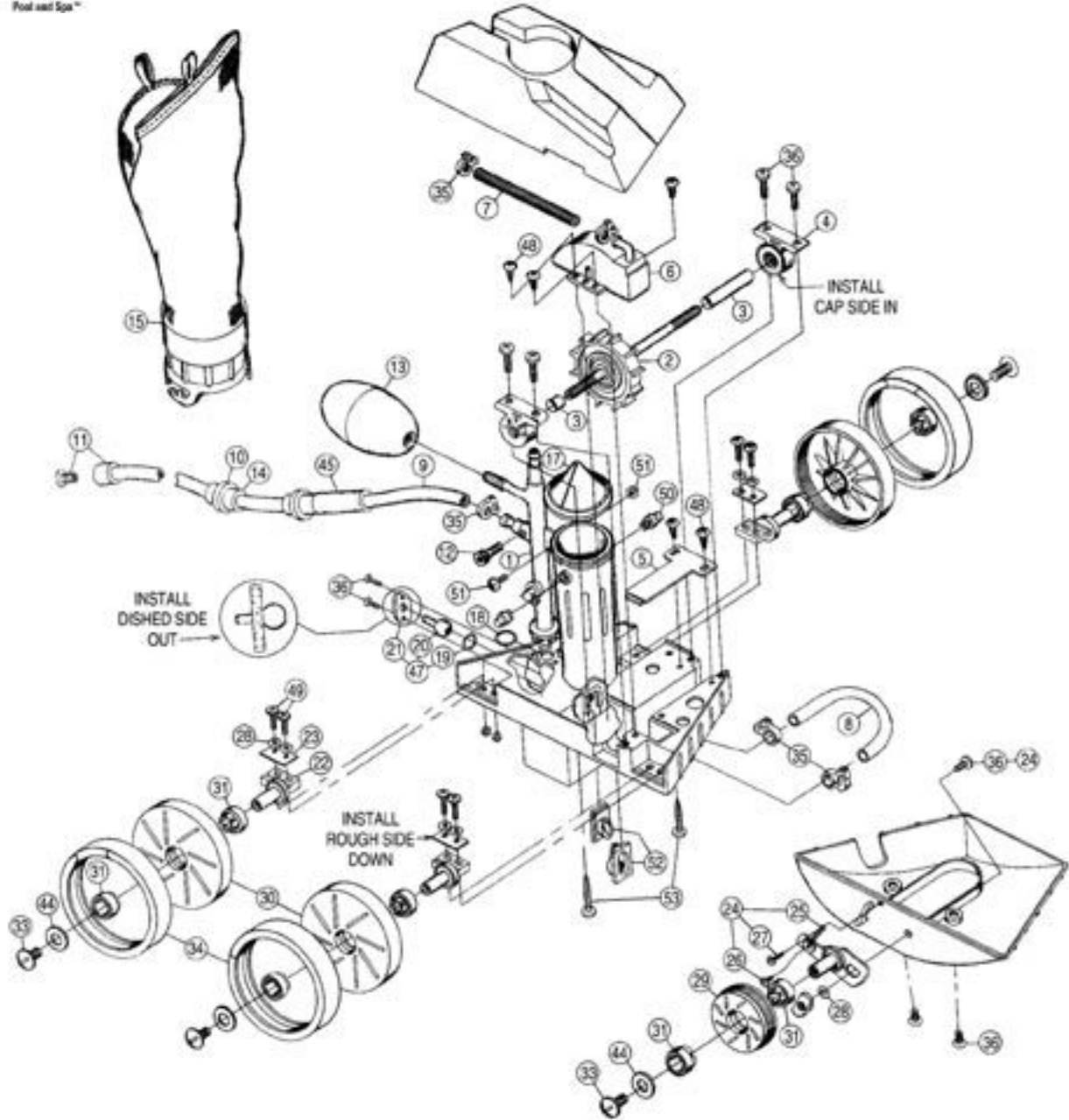
Item No.	Part No.	Description	US List	Can. List
25	P12112	Drive Track	29.62	36.14
26	P12127	Drive Motor Master - Incl. #42	756.47	922.89
27	P12129	Drive Motor Slave - Incl. #42	645.00	786.90
28	P12128	Pump Motor - Incl. #42	430.00	524.60
31	P12132	PVA Brush	25.47	31.07
32	P12131	Wheel Tube Assy. Hex	58.62	71.51
35	P12118	Filter Bag	46.97	57.30
38	P12120	Filter Screen	43.00	52.46
39	P12134	Power Supply Assy. 1 Hr	681.64	831.60
41	P12130	Body Assy. - Incl. # 14	207.68	253.37
42	P12123	Shrink Tube 1 Meter	38.22	46.63
44	P12137	Remote Control	199.86	243.83
45	P12138	Axle For Wheel Tube Assy.	22.31	27.21
NOT SHOWN				
	P12160	Caddy - Prowler 720/730	CALL	CALL

Product on page 25.

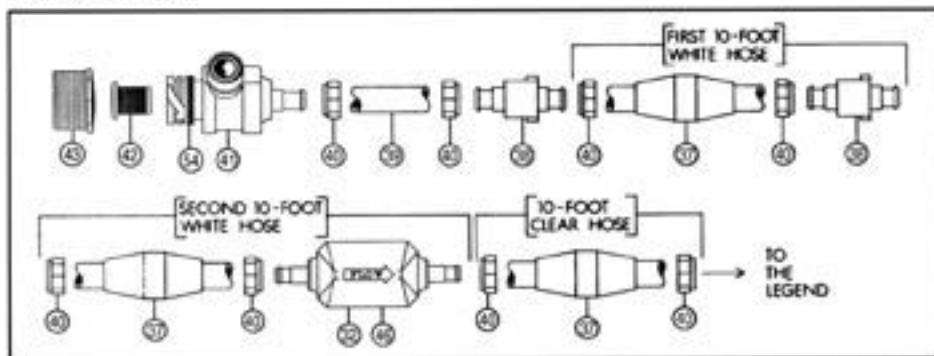


Legend® 3-Wheel

Replacement Parts



HOSE KIT - # LL209



Legend® 3-Wheel (Cont'd)



Replacement Parts



Automatic Pool Cleaner Parts

Item No.	Part No.	Qty.	Description	US List	Can. List
LEGEND 3 WHEEL REPLACEMENT PARTS					
1	LLU6		Feed Mast w/O-Ring	34.08	41.57
2	EC86		Turbine Drive Shaft - Complete	26.61	32.46
3	EC83	1	Turbine Spacers - Set, 1 long, 1 short	1.92	2.34
4	EC80	2	Turbine Bearings	26.05	31.78
5	EA40		Turbine Shaft Shield	5.86	7.15
6	EC110		Turbine Cover w/Elbow	9.72	11.86
7	EC120		Turbine Cover Hose - 7 3/4" length	1.18	1.44
8	EC120		Jet - Hose - 7 3/4" length	1.18	1.44
9	EB5L		Sweep Hose - Complete	25.93	31.64
10	EB10	5	Sweep Hose - Wear Ring	9.13	11.14
11	EB25		Sweep Hose - Jet w/Collar	2.39	2.91
12	EB20	2	Sweep Hose - Adjustment Screw - White ¹	2.24	2.73
12	370198	2	Sweep Hose - Adjustment Screw - SS ²	2.09	2.55
13	EA20		Ballast Float - White	4.33	5.28
14	EH07	4	Sweep Hose - Hose Sleeve	3.57	4.35
15	EU15		Coarse Mesh Bag (Optional)	31.97	39.00
15	EU16		Fine Mesh Bag	31.97	39.00
17	EU9		Debris Valve	CALL	CALL
18	EU7		O-Ring for Feed Mast	1.17	1.43
19	E18		O-Ring for Thrust Jet	2.00	2.44
20	EC130	2-PK	Thrust Jet - Light Gray	9.19	11.22
21	EC135	2-PK	Thrust Jet - Plate	3.92	4.78
22	EC65		Axle - Large Wheels	3.65	4.46
23	EC70	2	Axle Plate	1.47	1.80
24	EC36H		Swing Axle Hardware Kit	CALL	CALL
25	EC25	2	Spring - Swing Axle	2.00	2.44
26	EC30	5	Screw For Spring To Swing Axle	1.62	1.98
27	EC32	5	Screw For Spring To Bottom Cover	1.62	1.98
28	EC45	5	Lock Washer For LLC36, EC70	2.39	2.91
29	EC16		Wheel - Small For Swing Axle	6.78	8.27
30	EC6L		Wheel w/out Bearings	11.59	14.13
31	EC60	2	Wheel Bearings Only	14.38	17.54
32	E10		Back-Up Valve	71.87	87.68
33	EC55	5	Wheel Screw - Plastic	7.28	8.88
34	EC10		Wheel - Rubber Tire (Non-ribbed)	8.78	10.71
35	EB15	2	Hose Clamp	0.74	0.90
36	EC40	10	Screw	2.21	2.70
37	ED10P		Float - Feed Hose	5.04	6.15

¹ For use on units manufactured before 8-01-05.

² For use on units manufactured after 8-01-05.

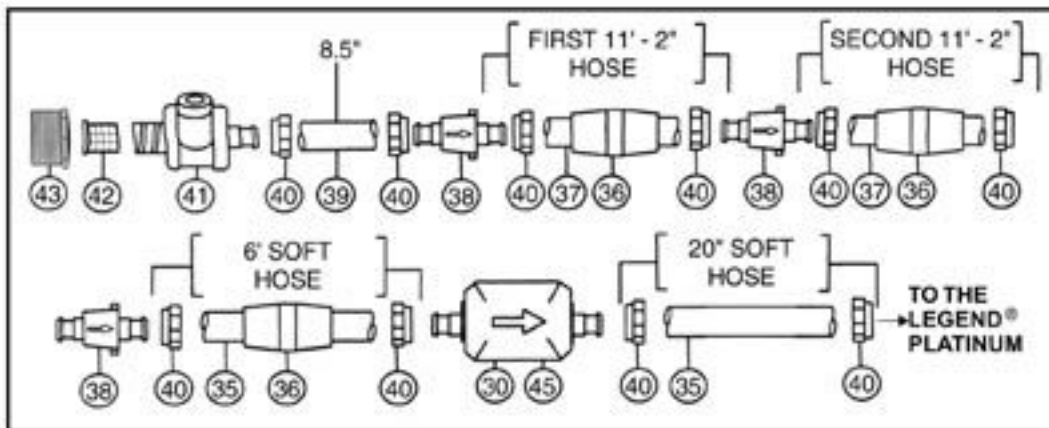
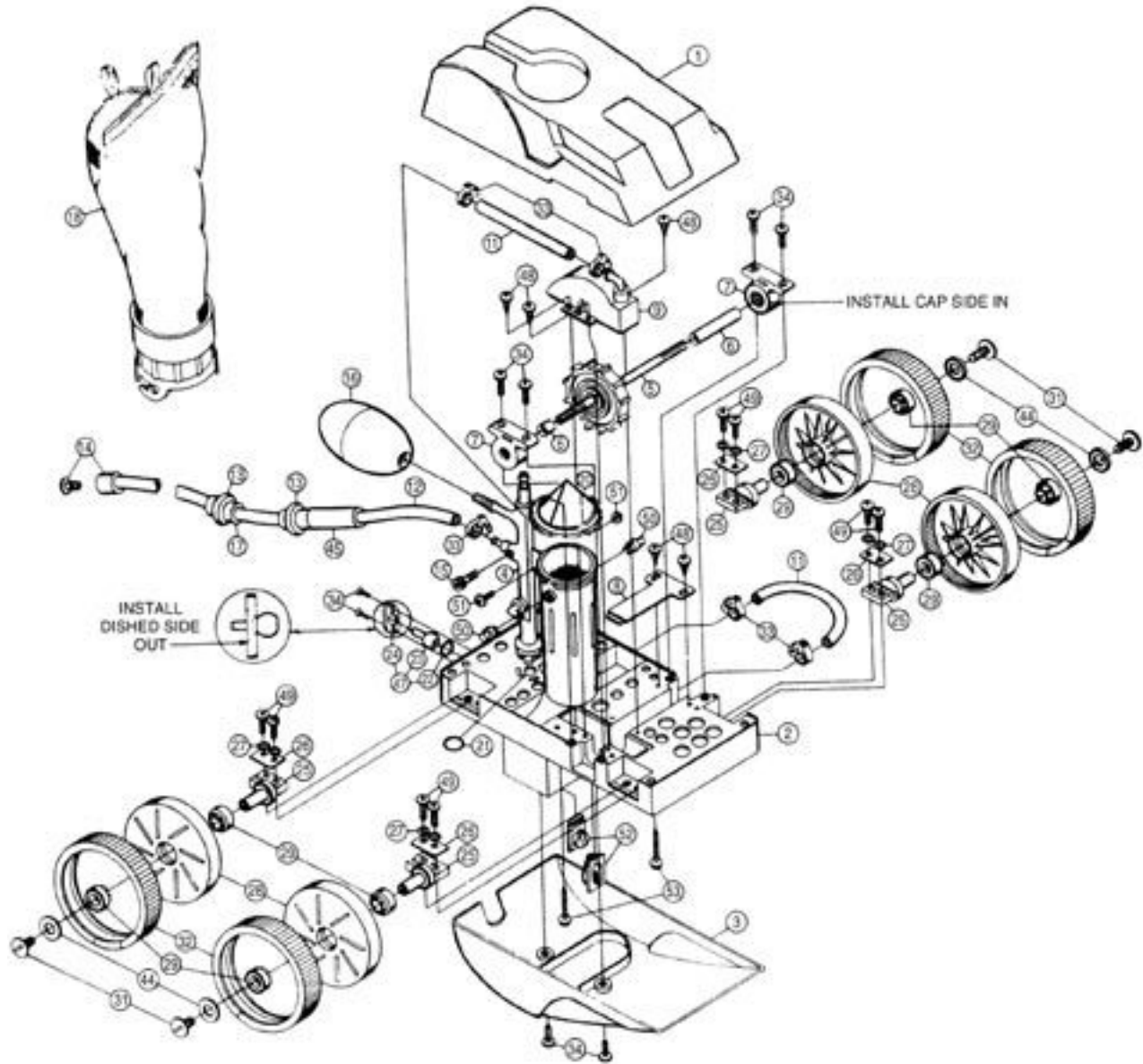
Item No.	Part No.	Qty.	Description	US List	Can. List
38	ED05		Swivel - Feed Hose	11.08	13.52
39	LLU1		Adapter Hose - White - 8-1/2"	3.92	4.78
40	ED15	2	Mender Nut - plastic - feed hose	5.78	7.05
41	EW22		Wall Fitting - Complete	26.55	32.39
42	E24		Screen - Wall Fitting	11.91	14.53
43	E23		Quick Disconnect Adapter	3.51	4.28
44	EC64	2	Wheel - Plastic Washer	4.30	5.25
45	EH09C		Sweep Hose Weight	11.34	13.84
46	EG15		Gears - for Back-Up Valve	60.78	74.16
47	EC131		Thrust Jet Repair Kit includes: E18, EC130, EC135	CALL	CALL
48	EA30	5	Screw for EA40 and EC110	1.62	1.98
49	EU76	2K	Axle Bolt	1.30	1.58
50	EU147	2	Snap Fit Vac Tube Posts	4.32	5.27
51	EU79		Nut & Bolt - Feed Mast to Vac Tube	4.15	5.07
52	LLU8	2	Venturi Jet	8.54	10.41
53	EU80	2	Screw - Top Cover To Frame	1.75	2.14
54	E21	2	O-Ring For Wall Fitting	2.82	3.44
TUNE-UP KIT (3-WHEEL) - LL205					
	LL205		Kit includes	CALL	CALL
	EB5L	1	Sweep Tail - Complete	25.93	31.64
	EC6L	3	Wheel - Large	11.59	14.13
	EC16	1	Wheel - Small	6.78	8.27
	EC60	4	Bearings - 2-PK	14.38	17.54
	EC80	1	Turbine Bearings - 2-PK	26.05	31.78
	EC86	1	Turbine Shaft - Complete	26.61	32.46
	EC10	3	Tires - Non-Ribbed	8.78	10.71
	EU16	1	Fine Mesh Bag	31.97	39.00
LEGEND HOSE KIT - LL209					
	LL209		Kit includes	237.56	289.82
	ED45	2	White Feed Hose 11'-2"	30.02	36.62
	ED50	1	Clear Feed Hose 7'-8"	31.19	38.05
	ED10P	10	Floats	5.04	6.15
	ED05	3	Swivels	11.08	13.52
	E10	1	Back-Up Valve	71.87	87.68
	LLU1	1	Adaptor Hose - White 8 1/2"	3.92	4.78
	ED15	7	Mender Nuts	5.78	7.05
	EW22	1	Wall Fitting - Complete	26.55	32.39
	EB10	1	Wear Ring	9.13	11.14



Legend® 4-Wheel - LLI05



Replacement Parts



Legend® 4-Wheel - LL105 (Cont'd)

Replacement Parts



Item No.	Part No.	Qty.	Description	US List	Can. List
LEGEND 4 WHEEL REPLACEMENT PARTS					
1	LLU5NG		Top Cover - Gray	61.40	74.91
2	LLU145N		Main Frame	957.20	1,167.79
3	EU10N		Bottom Cover - White	48.78	59.51
4*	LLU6		Feed Mast w/O-Ring	34.08	41.57
5	EC86		Turbine Drive Shaft - Complete	26.61	32.46
6	EC83	1	Turbine Spacers - Set, 1 long, 1 short	1.92	2.34
7	EC80	2	Turbine Bearings	26.05	31.78
8	EA40		Turbine Shaft Shield	5.86	7.15
9	EC110		Turbine Cover w/Elbow	9.72	11.86
11	EC120		Hose - 7 3/4" length	1.18	1.44
12*	EB5L		Sweep Hose - Complete	25.93	31.64
13	EB10	5	Sweep Hose - Wear Ring	9.13	11.14
14	EB25		Sweep Hose - Jet w/Collar	2.39	2.91
15*	EB20	2	Sweep Hose - Adjustment Screw - White ¹	2.24	2.73
15	370198	2	Sweep Hose - Adjustment Screw - SS ²	2.09	2.55
16	EA20		Ballast Float (White)	4.33	5.28
17	EH07	4	Sweep Hose - Hose Sleeve	3.57	4.35
18*	EU15		Coarse Mesh Bag (Optional)	31.97	39.00
18*	EU16		Fine Mesh Bag	31.97	39.00
20	EU9		Debris Valve	CALL	CALL
21	EU7		O-Ring for Feed Mast	1.17	1.43
22	E18		O-Ring for Thrust Jet	2.00	2.44
23	EC130	2	Thrust Jet	9.19	11.22
24	EC135	2	Thrust Jet - Plate	3.92	4.78
25	EC65		Axle - Large Wheels	3.65	4.46
26	EC70	2	Axle Plate	1.47	1.80
27	EC45	5	Axle - Lock Washer	2.39	2.91
28*	EC6L		Wheel w/out Bearings	11.59	14.13
29*	EC60	2	Wheel Bearings Only	14.38	17.54
30*	E10		Back-Up Valve	71.87	87.68
31*	EC55	5	Wheel Screw - Plastic	7.28	8.88
32*	LLC1		Wheel - Rubber Tire	9.31	11.36
33	EB15	2	Hose Clamp	0.74	0.90
34	EC40	10	Screw	2.21	2.70
35*	ED50		Feed Hose - clear soft - 7'-8"	31.19	38.05
36*	ED10P		Float - Feed Hose	5.04	6.15
37*	ED45		Feet Hose - White - 11'-2"	30.02	36.62
38	ED05		Swivel - Feed Hose	11.08	13.52
39	LLU1		Adapter Hose - White - 8-1/2"	3.92	4.78
40*	ED15	2	Mender Nut - plastic - feed hose	5.78	7.05
41	EW22		Wall Fitting - Complete	26.55	32.39
41	E25		Pressure Relief Valve for Wall Fitting	10.42	12.71
42	E24		Screen - Wall Fitting	11.91	14.53
43	E23		Quick Disconnect Adapter	3.51	4.28
44	EC64	2	Wheel - Plastic Washer	4.30	5.25
46*	EG15		Gears - for Back-Up Valve	60.78	74.16
47	EC131		Thrust Jet Repair Kit includes: E18, EC130, EC135	CALL	CALL
48	EA30	5	Screw for EA40 and EC110	1.62	1.98
49	EU76	2	Axle Bolt	1.30	1.58
50	EU147	2	Snap Fit Vac Tube Posts	4.32	5.27

*Recommended for stock

¹ For use on units manufactured before 8-01-05.

² For use on units manufactured after 8-01-05.

Item No.	Part No.	Qty.	Description	US List	Can. List
51	EU79		Nut & Bolt - Feed Mast to Vac Tube	4.15	5.07
52	LLU8	2-	Venturi Jet	8.54	10.41
53	EU80	2	Screw - Cover to Frame	1.75	2.14
BACK-UP VALVE PARTS - E10 (#30 on schematic)					
	E11	1	Housing Body	37.68	45.97
	E12	1	Housing Top	20.87	25.46
	E13	1	O-Ring for Housing Body	1.17	1.43
	E14	1	O-Ring for Gear Assembly	1.17	1.43
	E15	1	Screw for Housing Body - 6-PK	3.80	4.63
	EG15	1	Gears - for Back-Up Valve	60.78	74.16
WALL FITTING PARTS - EW22 (#41 on schematic)*					
	E21	1	O-Ring for Wall Fitting - 2-PK	2.82	3.44
	E25	1	Pressure Relief Valve	10.42	12.71
	E24	1	Screen - Wall Fitting	11.91	14.53
	E23	1	Quick Disconnect Adapter	3.51	4.28
LEGEND TUNE-UP KIT - LL205N*					
	EU16	1	Fine Mesh Bag	31.97	39.00
	EU9	1	Debris Valve	CALL	CALL
	EC80	1	Turbine Bearings - 2-PK	26.05	31.78
	EC60	4	Wheel Bearings - 2-Pk	14.38	17.54
	EC86	1	Turbine Shaft - Complete	26.61	32.46
	EB5L	1	Sweep Tail - Complete	25.93	31.64
	EC6L	2	Wheel (Large)	11.59	14.13
	LLC1	2	Tires (4-Wheel only)	9.31	11.36
LEGEND OVERHAUL KIT - LL206N*					
	LL206N		Kit includes	CALL	CALL
	EU16	1	Fine Mesh Bag	31.97	39.00
	EC86	1	Turbine Shaft Complete	26.61	32.46
	EC65	4	Axles	3.65	4.46
	EU9	1	Debris Valve	CALL	CALL
	EB5L	1	Sweep Hose w/Clamp	25.93	31.64
	EC80	1	Turbine Bearings - 2-PK	26.05	31.78
	EC6L	4	Wheel (Large)	11.59	14.13
	LLC1	4	Tires (4-Wheel only)	9.31	11.36
	EC60	4	Bearings - 2-PK	14.38	17.54
	EA20	1	Ballast Float (White)	4.33	5.28
LEGEND HOSE KIT - LL209*					
	LL209		Kit includes	237.56	289.82
	ED45	2	White Feed Hose 11'-2"	30.02	36.62
	ED50	1	Clear Feed Hose 7'-8"	31.19	38.05
	ED10P	10	Floats	5.04	6.15
	ED05	3	Swivels	11.08	13.52
	E10	1	Back-Up Valve	71.87	87.68
	LLU1	1	Adaptor Hose - White 8 1/2"	3.92	4.78
	ED15	7	Mender Nuts	5.78	7.05
	EW22	1	Wall Fitting - Complete	26.55	32.39
	EB10	1	Wear Ring	9.13	11.14
NOT SHOWN					
	LLU82	2	Snap Fittings	4.32	5.27
	370017		Sweep Hose Scrubber	2.27	2.77
	JVP8		Pressure Stick w/o Gauge	22.17	27.04
	JVPG		Pressure Gauge for JVP8	CALL	CALL

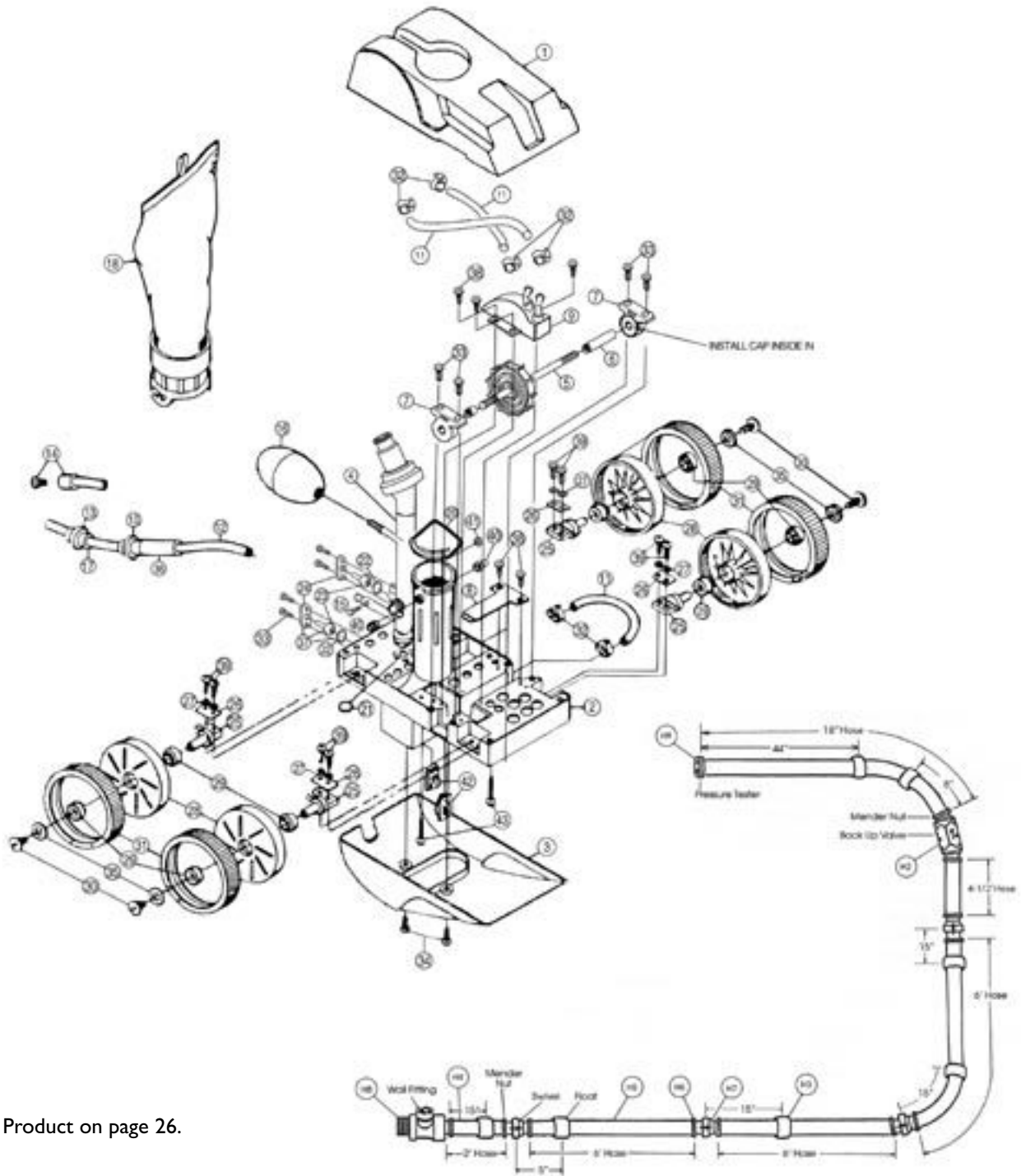
Product on page 26.



Legend® II - LX 2000



Replacement Parts



Product on page 26.

Automatic Pool Cleaner Parts

Legend® II - LX 2000 (Cont'd)

Replacement Parts



Automatic Pool Cleaner Parts

Item No.	Part No.	Qty.	Description	US List	Can. List
LEGEND II - LX 2000 REPLACEMENT PARTS					
1	LXU5G		Top Cover - Gray	61.40	74.91
2	LLU145N		Main Frame (Legend II only)	957.20	1,167.79
3	EU10N		Bottom Cover	48.78	59.51
4*	LXU6		Feed Mast w/O-Ring & Swivel	36.61	44.66
5	EC86		Turbine Drive Shaft - Complete	26.61	32.46
6	EC83	1	Turbine Spacers - Set, 1 long, 1 short	1.92	2.34
7	EC80	2	Turbine Bearings	26.05	31.78
8	EA40		Turbine Shaft Shield	5.86	7.15
9	LXC110		Turbine Cover w/Elbows	17.04	20.79
11	EC120		Hose - 7 3/4"	1.18	1.44
12	EB5L		Sweep Hose - Complete	25.93	31.64
13	EB10	5	Sweep Hose - Wear Ring	9.13	11.14
14	EB25		Sweep Hose - Jet w/Collar	2.39	2.91
15	EB20	2	Sweep Hose - Adjustment Screw - White ¹	2.24	2.73
15	370198	2	Sweep Hose - Adjustment Screw - SS ²	2.09	2.55
16	EA20		Ballast Float - White	4.33	5.28
17	EH07	4	Sweep Hose - Hose Sleeve	3.57	4.35
18	EU15		Coarse Mesh Bag (Optional)	31.97	39.00
18	EU16		Fine Mesh Bag	31.97	39.00
20	EU9		Debris Valve	CALL	CALL
21	EU7		O-Ring for Feed Mast	1.17	1.43
22	E18		O-Ring for Thrust Jet	2.00	2.44
23	EC130	2	Thrust Jet	9.19	11.22
24	EC135	2	Thrust Jet - Plate	3.92	4.78
25	EC65		Axle - Large Wheels	3.65	4.46
26	EC70	2	Axle Plate	1.47	1.80
27	EC45	5	Axle - Lock Washer	2.39	2.91
28*	EC6L		Wheel w/out Bearings	11.59	14.13
29	EC60	2	Wheel Bearings Only	14.38	17.54
30	EC55	5	Wheel Screw - Plastic	7.28	8.88
31*	LXC1		Tire - Legend II	9.31	11.36
32	EB15	2	Hose Clamp	0.74	0.90
33	EC40	10	Screw for Turbine Bearings, Thrust Jet	2.21	2.70
34	EC40	10	Screw for Bottom Cover	2.21	2.70
35	EC64	2	Wheel - Plastic Washer	4.30	5.25
36	EH09C		Sweep Hose Weight (optional)	11.34	13.84
37	EC131		Thrust Jet Repair Kit, includes: E18, EC130, EC135	CALL	CALL
38	EA30	5	Screw for LXC110	1.62	1.98
39	EU76	2	Axle Bolt	1.30	1.58
40	EU147	2	Snap Fit Vac Tube Posts	4.32	5.27
41	EU79		Nut & Bolt - Feed Mast to Vac Tube	4.15	5.07
42	LXU8	2	Venturi Jet	14.96	18.25

*Recommended for stock

¹ For use on units manufactured before 8-01-05.

² For use on units manufactured after 8-01-05.

Item No.	Part No.	Qty.	Description	US List	Can. List
43	EU80	2	Screw - Cover to Frame	1.75	2.14
H2*	LX10		Back Up Valve - Low Pressure	73.28	89.41
H2	LX11		Back Up Valve - Housing	37.68	45.97
H2	E12		Back Up Valve - Top Cover	20.87	25.46
inside H2	E13		Back Up Valve - Housing O-Ring	1.17	1.43
inside H2	E14		Back Up Valve - O-Ring Gear Assembly	1.17	1.43
H2	E15	6	Back Up Valve - Screw Housing Body	3.80	4.63
inside H2*	LX16		Back Up Valve - Gear Assembly	60.78	74.16
H3	LXD10		Feed Hose Float	4.48	5.46
H5	LX17		Feed Hose - 6 ft. Section	16.74	20.42
H4	LX18		Feed Hose - 2 ft. Section	8.11	9.90
H6	LX20	2	Feed Hose Mender w/O-Ring #0252	6.42	7.84
H7*	LX19		Feed Hose Swivel	10.25	12.51
H8*	LXW22		Wall Fitting - Complete	15.53	18.95
H8	E21	2	Wall Fitting O-ring	2.82	3.44
H8	E23		Wall Fitting Adapter	3.51	4.28
inside H8	E24		Wall Fitting Screen	11.91	14.53
inside H8	LX25		Wall Fitting - Pressure Relief Valve	10.45	12.75
H9	LX26		Pressure Tester	7.46	9.11

LEGEND II HOSE KIT - LX209*

LX209			Kit includes	353.41	431.16
LX26	1		Pressure Tester	7.46	9.11
LX18	1		2' Hose Section	8.11	9.90
LX20	12		Mender Nuts	6.42	7.84
LX19	4		Swivels	10.25	12.51
LX17	4		6' Hose Section	16.74	20.42
LXD10	7		Hose Floats	4.48	5.46
LX10	1		Back-Up Valve	73.28	89.41
LXW22	1		Wall Fitting - Complete	15.53	18.95

LEGEND II TUNE-UP KIT - LX205*

LX205			Kit includes	260.05	317.26
EU16	1		Fine Mesh Bag	31.97	39.00
EU9	1		Debris Valve	CALL	CALL
EC80	1		Turbine Bearings - 2-PK	26.05	31.78
EC60	4		Wheel Bearings - 2-PK	14.38	17.54
EC86	1		Turbine Shaft - Complete	26.61	32.46
EB5L	1		Sweep Tail - Complete	25.93	31.64
EC6L	2		Wheel (Large)	11.59	14.13

NOT SHOWN

370017			Sweep Hose Scrubber	2.27	2.77
JVP8			Pressure Stick w/o Gauge	22.17	27.04
JVPG			Pressure Gauge for JVP8	CALL	CALL

Product on page 26.

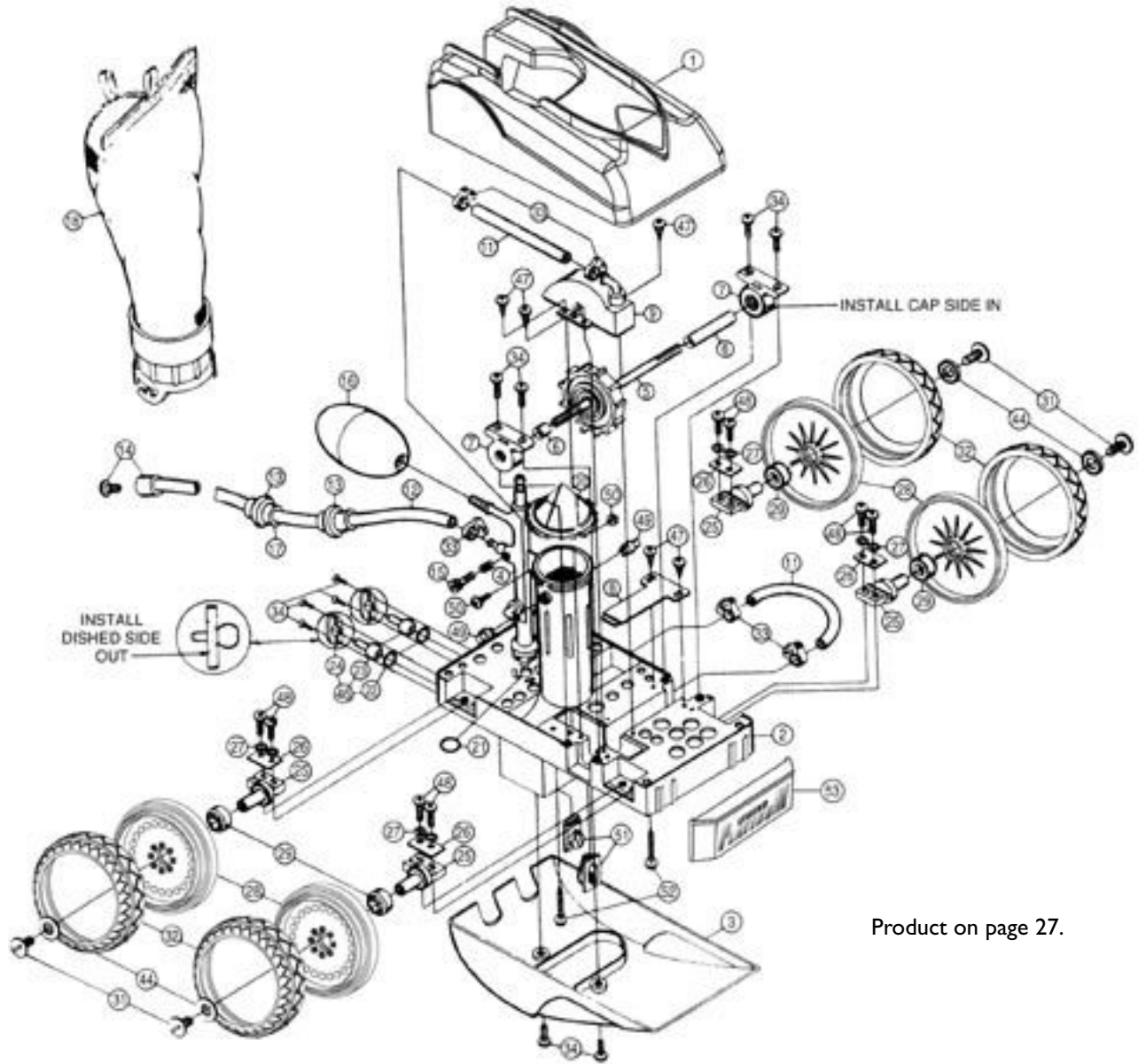


Legend® Platinum - LLI05PM

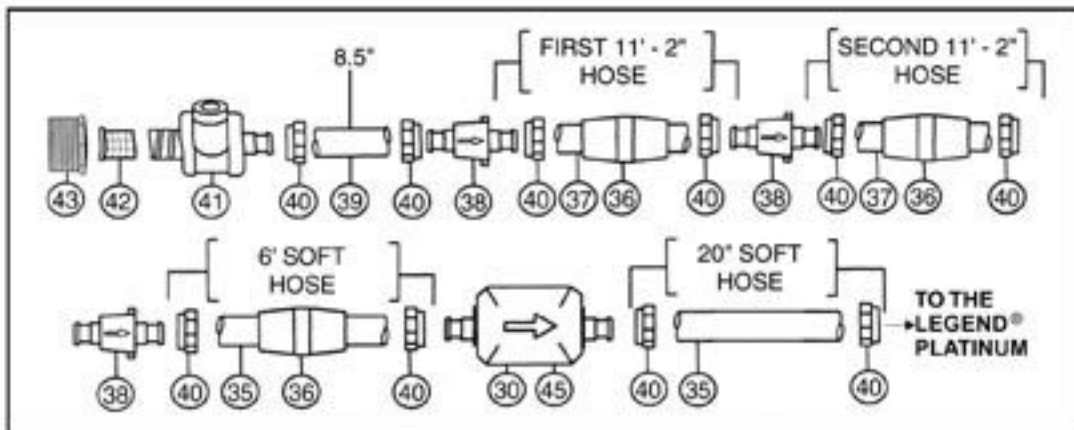
Legend® Platinum Truck Series - LLI05PMT



Replacement Parts



Product on page 27.





Legend® Platinum - LLI05PM

Legend® Platinum Truck Series - LLI05PMT

Replacement Parts (Cont'd)



Item No.	Part No.	Qty.	Description	US List	Can. List
LEGEND PLATINUM REPLACEMENT PARTS					
1	LLU5PM		Top Cover - Grey	86.75	105.83
1*	LLU5PMTY		Platinum Truck Series, Top Cover only, Yellow	153.11	186.80
1*	LLU5PMTR		Platinum Truck Series, Top Cover only, Red	153.11	186.80
1*	LLU5PMTG		Platinum Truck Series, Top Cover only, Gray	153.11	186.80
1*	LLU5PMTW		Platinum Truck Series, Top Cover only, White	153.11	186.80
2	LLU145NPM		Main Frame - White	957.20	1,167.79
3	EU10N		Bottom Cover - White	48.78	59.51
3	LLU10NG		Bottom Cover - Grey	48.78	59.51
4*	LLU6		Feed Mast w/O-Ring - White	34.08	41.57
4*	LLU6G		Feed Mast w/O-Ring - Grey	41.41	50.52
5	EC86		Turbine Drive Shaft - Complete	26.61	32.46
6	EC83	1	Turbine Spacers - Set, 1 long, 1 short	1.92	2.34
7	EC80	2	Turbine Bearings	26.05	31.78
8	EA40		Turbine Shaft Shield - White	5.86	7.15
9	EC110		Turbine Cover w/Elbow - White	9.72	11.86
11	EC120		Hose - 7 3/4" length - White	1.18	1.44
11	LLC120G		Hose - 7 3/4" length - Grey	1.91	2.34
12	EB5L		Sweep Hose - Complete - White	25.93	31.64
12*	LLB5G		Sweep Hose - Complete - Grey	38.26	46.68
13	EB10	5	Sweep Hose - Wear Ring	9.13	11.14
14	EB25		Sweep Hose - Jet w/Collar - White	2.39	2.91
14	LLB25PM		Sweep Hose - Jet w/Collar - Grey	5.68	6.93
15	EB20	2	Sweep Hose - Adjustment Screw - White ¹	2.24	2.73
15	370198		Sweep Hose - Adjustment Screw - SS ²	2.09	2.55
15	LLB20G	2	Sweep Hose - Adjustment Screw - Grey	7.76	9.46
16	EA20		Ballast Float - White	4.33	5.28
16	LLA20G		Ballast Float - Grey	6.30	7.68
17	EH07	4	Sweep Hose - Hose Sleeve - White	3.57	4.35
17	LLH07PM	4	Sweep Hose - Hose Sleeve - Grey	4.84	5.90
18	EU15		Coarse Mesh Bag - White Collar	31.97	39.00
18	EU15G		Coarse Mesh Bag - Grey Collar	37.48	45.73
18	EU16		Fine Mesh Bag - White Collar	31.97	39.00
18*	EU16G		Fine Mesh Bag - Grey Collar	37.48	45.73
20	EU9		Debris Valve	CALL	CALL
21	EU7		O-Ring for Feed Mast	1.17	1.43
22	E18		O-Ring for Thrust Jet	2.00	2.44
23	LLC130PM	2	Thrust Jets - White	4.64	5.66
23	LLC130G	2	Thrust Jets - Grey	24.05	29.34
24	EC135	2	Thrust Jet Plates - White	3.92	4.78
24	LLC135G	2	Thrust Jet Plates - Grey	8.28	10.10
25	EC65		Axle - Large Wheels	3.65	4.46
26	EC70	2	Axle Plate	1.47	1.80
27	EC45	5	Axle - Lock Washer	2.39	2.91
28*	LLC6PM		Wheel w/out Bearings - White	29.66	36.19
28	LLC6PMG		Wheel w/out Bearings - Grey	29.66	36.19
29	EC60	2	Wheel Bearings	14.38	17.54

Item No.	Part No.	Qty.	Description	US List	Can. List
30	E10		Back-Up Valve - White	71.87	87.68
30*	LL10PM		Back-Up Valve - Grey	118.65	144.75
31	EC55	5	Wheel Screw - Plastic - White	7.28	8.88
31	LLC55PM	5	Wheel Screw - Plastic - Grey	7.89	9.62
32*	LLC1PM		Tire - Platinum - White	18.99	23.16
32*	LLC1PMG		Tire - Platinum - Grey	18.95	23.12
33	EB15	2	Hose Clamp	0.74	0.90
34	EC40	10	Screw	2.21	2.70
35	ED50		Feed Hose - Clear soft - 7'-8"	31.19	38.05
35*	LLD50PM		Feed Hose - Grey soft - 7'-8"	38.42	46.88
36	ED10P		Float For Feed Hose - White	5.04	6.15
36*	LLD10PM		Float For Feed Hose - Grey	6.46	7.88
37	ED45		Feed Hose - 11'-2" - White	30.02	36.62
37*	LLD45PM		Feed Hose - 11'-2" - Grey	31.03	37.85
38	ED05		Swivel - Feed Hose - White	11.08	13.52
38*	LLD05PM		Swivel - Feed Hose - Grey	16.16	19.72
39	LLU1		Adapter Hose 8-1/2" - White	3.92	4.78
39	LLU1PM		Adapter Hose 8-1/2" - Grey	4.38	5.35
40	ED15	2	Mender Nut - plastic - White	5.78	7.05
40*	LLD15PM	2	Mender Nut - plastic - Grey	6.46	7.88
41*	LLW22PM		Wall Fitting - Grey	36.70	44.78
41	EW22		Wall Fitting - White	26.55	32.39
41	LL25PM		Pressure Relief Valve - Grey	10.77	13.14
41	E25		Pressure Relief Valve - White	10.42	12.71
42	E24		Screen - Wall Fitting	11.91	14.53
43	LL23PM		Quick Disconnect Adapter - Grey	6.91	8.43
43	E23		Quick Disconnect Adapter - White	3.51	4.28
44	EC64	2	Wheel - Plastic Washer	4.30	5.25
45	EG15		Gears - for Back-Up Valve	60.78	74.16
46	EC131		Thrust Jet Repair Kit includes: (White) E18, EC130, EC135	CALL	CALL
46	LLC131G		Thrust Jet Repair Kit includes: (Grey) E18, EC130G, LLC135G	CALL	CALL
47	EA30	5	Screw for EA40 or LLA40G and EC110 or LLC110PM	1.62	1.98
48	EU76	2	Axle Bolt	1.30	1.58
49	EU147	2	Snap Fit Vac Tube Posts - White	4.32	5.27
49	LLU147G	2	Snap Fit Vac Tube Posts - Grey	4.64	5.66
50	EU79		Nut & Bolt - Feed Mast to Vac Tube	4.15	5.07
51	LLU8	2	Venturi Jet - White	8.54	10.41
51	LLU8G	2	Venturi Jet - Grey	10.45	12.75
52	EU80	2	Screw - Cover to Frame	1.75	2.14
53	LLU81PM		Front Bumper - White	17.69	21.58
53	LLU81PMG		Front Bumper - Grey	21.09	25.74
NOT SHOWN					
	370017		Sweep Hose Scrubber	2.27	2.77
	JVP8		Pressure Stick w/o Gauge	22.17	27.04
	JVPG		Pressure Gauge for JVP8	CALL	CALL

*Recommended for stock

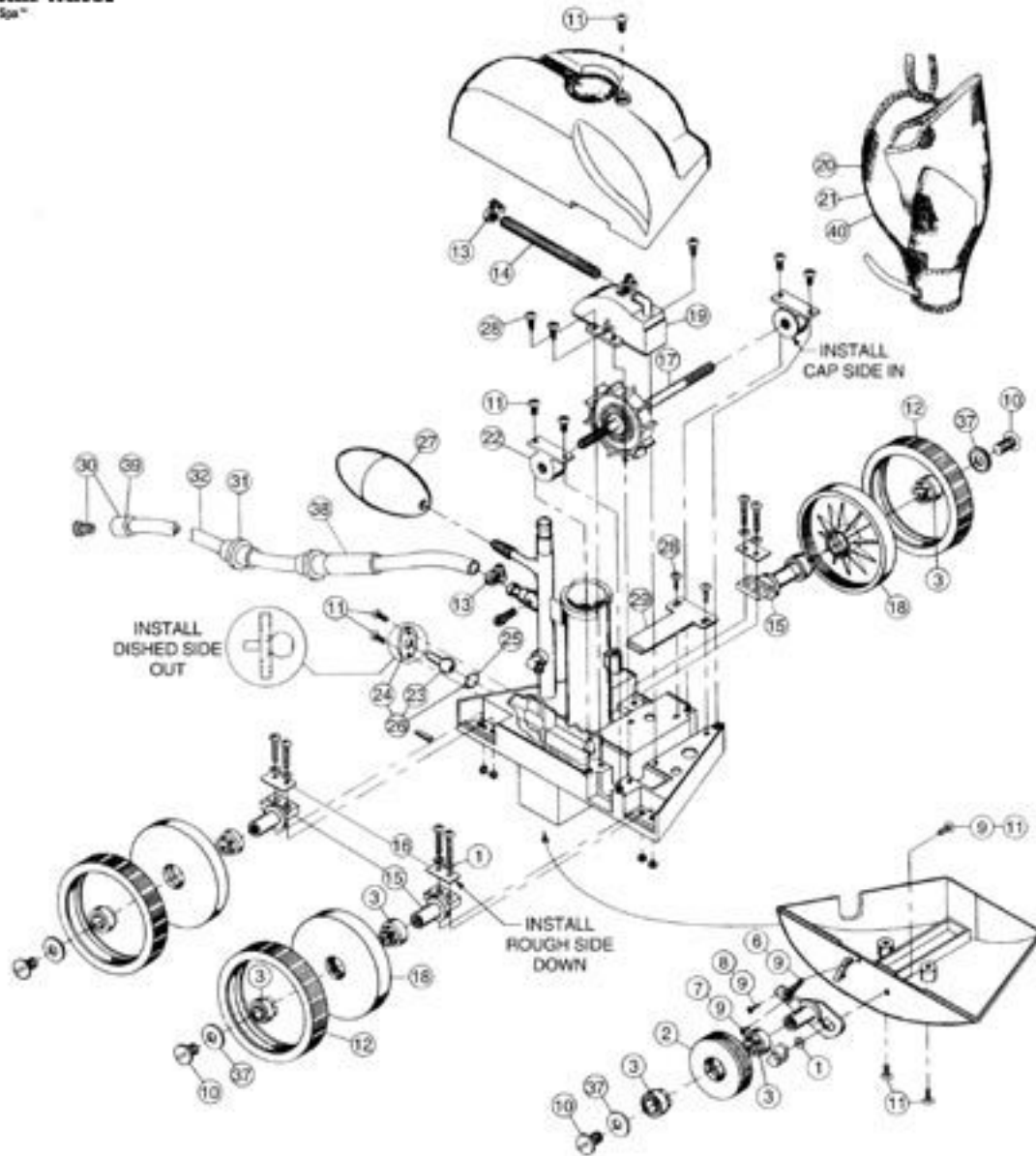
¹ For use on units manufactured before 8-01-05.

² For use on units manufactured after 8-01-05.

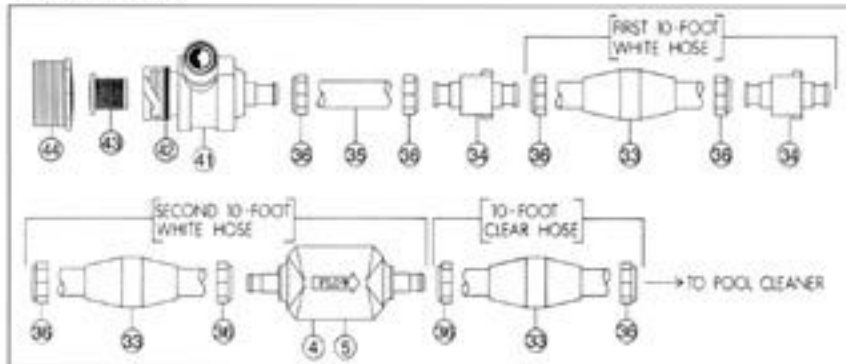
Product on page 27.



Pentair Replacement Parts for Polaris®



Hose Kit - # LL209



Note: These parts are manufactured by Pentair Water Pool and Spa Products® as replacements for designated Polaris® products.

Pentair Replacement Parts for Polaris® (Cont'd)



Replacement Parts



Item No.	Part No.	Qty.	Description	US List	Can. List
REPLACEMENT PARTS FOR POLARIS®					
1	EC45	5	Lock Washer for LC36	2.39	2.91
2	EC16		Small Wheel - Swing Axle	6.78	8.27
3	EC60	2	Ball Bearing	14.38	17.54
4	E10		Back-up Valve	71.87	87.68
5	EG15		Gear Assembly - B/U Valve	60.78	74.16
6	EC25	2	Spring for LC36	2.00	2.44
7	EC30	5	Screw for EC25 to Axle	1.62	1.98
8	EC32	5	Screw for EC25 to Body	1.62	1.98
9	EC36H		Hardware Kit For LC36	CALL	CALL
10	EC55	5	Wheel Screw	7.28	8.88
11	EC40	10	Screw for A5/A10/C36/C80/C130	2.21	2.70
12	EC10		Tire for LC6	8.78	10.71
13	EB15	2	Clamp for Sweep Hose	0.74	0.90
14	EC120		Hose for EC110, 7 3/4" Length	1.18	1.44
15	EC65		Axle - Large (Rear)	3.65	4.46
16	EC70		Axle Plate	1.47	1.80
17	EC86		Drive Shaft - Assembled	26.61	32.46
18	LC6		Wheel - Large	11.23	13.70
19	EC110		Turbine Cover w/Elbow	9.72	11.86
20	LA16		Sand/Silt Bag	23.87	29.12
21	LA15		Leaf Bag	16.59	20.24
22	EC80	2	Ball Bearings - Turbine	26.05	31.78
23	EC130	2	Thrust Jet	9.19	11.22
24	EC135	2	Jet Plate	3.92	4.78
25	E18	2	O-Ring for EC130	2.00	2.44
26	EC131		Thrust Jet Repair Kit	CALL	CALL
27	EA20		Ballast Float (White)	4.33	5.28
28	EA30	5	Screw for EA40	1.62	1.98
29	EA40		Turbine Shaft Shield	5.86	7.15
30	EB25		Sweep Hose Jet with Collar	2.39	2.91

Item No.	Part No.	Qty.	Description	US List	Can. List
31	EB10	5	Wear Ring	9.13	11.14
32	EB5L		Sweep Hose - Complete	25.93	31.64
33	ED10P		Float for Feed Hoses	5.04	6.15
34	ED05		Swivel Feed Hose	11.08	13.52
35	LLU1		Adapter Hose - White 8.5"	3.92	4.78
36	ED15	2	Mender Nut	5.78	7.05
37	EC64	2	Wheel Washer	4.30	5.25
38	EH09C		Weight Sweep Hose	11.34	13.84
39	LB03		Collar Hose Jet	2.15	2.62
40	LG45	4	Disposable Sand/Silt Bag	CALL	CALL
41	EW22		Wall Fitting - Complete	26.55	32.39
42	E21	2	O-Ring for EW22 Wall Fitting	2.82	3.44
43	E24		Screen for Wall Fitting	11.91	14.53
44	E23		Wall Fitting Quick Disconnect Adapter	3.51	4.28
	LD24	4	O-Ring for LD22 & LD23	1.56	1.91
TUNE-UP KIT - L205P					
	L205P		Kit includes	CALL	CALL
	LC6	3	Wheel Large	11.23	13.70
	EC60	4	Ball Bearing - 2-PK	14.38	17.54
	EC10	3	Rubber Tire	8.78	10.71
	EC65	3	Axle - Large (Rear)	3.65	4.46
	EC16	1	Small Wheel - Swing Axle	6.78	8.27
	EC80	1	Ball Bearings - Turbine - 2-PK	26.05	31.78
	EC86	1	Turbine Shaft	26.61	32.46
	EC55	1	Wheel Screw - 5-PK	7.28	8.88
NOT SHOWN					
	JVP8		Pressure Stick w/o Gauge	22.17	27.04
	JVPG		Pressure Gauge for JVP8	CALL	CALL

Note: These parts are manufactured by Pentair Water Pool and Spa® as replacements for designated Polaris® products.



Pentair/Polaris® Cross Reference Replacement Parts

Pentair Part No.	Polaris Part No.	Qty.	Description	US List	Can. List
PENTAIR/POLARIS® CROSS REFERENCE REPLACEMENT PARTS					
EC45	C45	5	LOCK WASHER (280/180)	2.39	2.91
EC16	C16		IDLER WHEEL - SMALL (180)	6.78	8.27
EC60	C60	2	BEARING - WHEEL (280/180)	14.38	17.54
E10	G52		BACK-UP VALVE (380/280/180)	71.87	87.68
EG15	N/A		GEAR ASSEMBLY - B/U VALVE	60.78	74.16
EC25	C25	2	SPRING - SWING AXLE (280/180)	2.00	2.44
EC30	C30	5	SCREW, 4 - 40 x 3/16" (280/180)	1.62	1.98
EC32	C32	5	SCREW, 6 - 32 x 1/2" (280/180)	1.62	1.98
EC36H	N/A		HARDWARE KIT FOR AXLE SWING BRACKET (280/180)	CALL	CALL
EC55	C55	5	WHEEL SCREW - PLASTIC (280/180)	7.28	8.88
EC40	C40	10	SCREW, 10 - 32 x 3/8" (380/360/280/180)	2.21	2.70
EC10	C10		TIRE FOR LC6 (380/360/280/180)	8.78	10.71
EB15	B15	2	CLAMP - SWEEP HOSE (380/360/280/180)	0.74	0.90
EC120	C120		HOSE - TURBINE COVER (280/180)	1.18	1.44
EC65	C65		AXLE - LARGE (REAR WHEEL ONLY) (280/180)	3.65	4.46
EC70	C70	2	AXLE PLATE (280/180)	1.47	1.80
EC86	C86		DRIVE SHAFT - ASSEMBLY (280/180)	26.61	32.46
LC6	C6		WHEEL - LARGE (280/180)	11.23	13.70
EC110	C110		TURBINE COVER WITH ELBOW (280/180)	9.72	11.86
LA16	A16		ALL PURPOSE BAG (180)	23.87	29.12
LA15	A15		LEAF BAG (180)	16.59	20.24
EC80	C80	2	BEARINGS - TURBINE (280/180)	26.05	31.78
EC130	N/A	2	THRUST JET ONLY (380/360/280/180)	9.19	11.22
EC135	N/A	2	JET PLATE ONLY (380/360/280/180)	3.92	4.78
E18	N/A	2	O-RING - THRUST JET (280/180)	2.00	2.44
EC131	C131		THRUST JET KIT (380/360/280/180)	CALL	CALL
EA20	A20		BALLAST FLOAT - WHITE (380/360/280/180)	4.33	5.28
EA30	A30	5	SCREW FOR EA40	1.62	1.98
EA40	A40		TURBINE SHAFT SHIELD (280/180)	5.86	7.15
EB25	B25		JET WITH COLLAR - SWEEP HOSE (380/280/180)	2.39	2.91
EB10	B10	5	WEAR RING - HOSE (380/280/180)	9.13	11.14
EB5L	B5		SWEEP HOSE - COMPLETE (380/280/180)	25.93	31.64
ED10P	D10		FLOAT - FEED HOSES (380/280/180)	5.04	6.15
ED05	D20		SWIVEL - FEED HOSE (380/280/180)	11.08	13.52
LLU1	N/A		ADAPTER HOSE - 8.5" WHITE	3.92	4.78
ED15	D15	2	MENDER NUT - FEED HOSE (380/280/180)	5.78	7.05
EC64	C64	5	WHEEL WASHER - PLASTIC (380/360/280/180)	4.30	5.25
EH09C	B2		WEIGHT SWEEP HOSE (380/360/280/180)	11.34	13.84
LB03	N/A		JET COLLAR - SWEEP HOSE	2.15	2.62
LG45	G45	4	DISPOSABLE SAND/SILT BAG	CALL	CALL
EW22	9-100-9001		UWF CONNECTOR ASSEMBLY (380/280/180)	26.55	32.39
E21		2	O-RING FOR EW22 WALL FITTING	2.82	3.44
E24			SCREEN FOR WALL FITTING	11.91	14.53
E23	6-500-00		UNIVERSAL WALL ADAPTOR "UWF" (380/360/280/180)	3.51	4.28
LD24	D24	4	O-RING - QUICK DISCONNECT PLUG	1.56	1.91

Note: These parts are manufactured by Pentair Water Pool and Spa® as replacements for designated Polaris®

Pentair/Polaris® Cross Reference Replacement Parts (Cont'd)



Pentair Part No.	Polaris Part No.	Qty.	Description	US List	Can. List
TUNE-UP KIT - L205P (280/180)					
L205P	A49		TUNE-UP KIT	CALL	CALL
LC6	C6	3	WHEEL LARGE	11.23	13.70
EC60	C60	8	BALL BEARING	14.38	17.54
EC10	C10	3	RUBBER TIRE	8.78	10.71
EC65	C65	3	AXLE - LARGE (REAR)	3.65	4.46
EC16	C16	1	SMALL WHEEL - SWING AXLE	6.78	8.27
EC80	C80	2	BALL BEARINGS - TURBINE	26.05	31.78
EC86	C86	1	TURBINE SHAFT	26.61	32.46
EC55	C55	5	WHEEL SCREW	7.28	8.88
LC36		1	AXLE SWING WITH T-BRACKET	11.52	14.06
NOT SHOWN					
353020	P17	1	QUICK DISC HOSE KIT, PUMP	31.72	38.69
370017	9-100-3105	1	SWEEP HOSE, SCRUBBER - (380/360/280/180)	2.27	2.77
370024	K16	1	BAG CONVERSION KIT, W/BAG - All Purpose	CALL	CALL
370025	9-100-1014	1	BAG CONVERSION KIT, W/BAG - All Purpose (380/360)	CALL	CALL
370058	N/A	1	UWF INSTALLATION TOOL	18.21	22.22
370059	N/A	1	POLARIS BAG ADAPTOR - (380/360) ¹	5.13	6.26
370060	N/A	1	POLARIS BAG ADAPTOR - (280) ¹	5.80	7.08
370073	6-504-00	1	FILTER SCREEN, UWF/QD - (380/360/280/180)	6.25	7.62
370112	D23	1	QUICK DISC PLUG NPTM, PLASTIC	CALL	CALL
370161	C66	1	AXLE LG WHEEL - (280/180)	CALL	CALL
370163	D26	1	QUICK DISC FEM, PLASTIC	CALL	CALL
370165	G9	1	COUPLING, 1-1/2 NPTF X 3/4" NPTM - (380/280/180)	CALL	CALL
370168	P5	1	VOLUTE, BOOSTER PUMP	CALL	CALL
370169	9-100-1132	1	DRIVE TRAIN GEAR KIT (380/360)	CALL	CALL
370170	9-100-1139	1	AXLE BLOCK KIT, FRONT & REAR - (380/360)	CALL	CALL
370171	9-100-1103	1	TURBINE WHEEL WITH BEARING (380/360)	CALL	CALL
370173	9-100-7003	1	FEED PIPE W/O TIMER - (380)	CALL	CALL
370174	P15	1	IMPELLER 3/4HP, PUMP	CALL	CALL
370176	9-100-1114	1	HUB CAP - (380/360/340)	CALL	CALL
370177	9-100-3135	1	COLLAR, BAG TIE - (360)	CALL	CALL
370178	9-100-1008	1	WHEEL, DOUBLE-SIDE - (380/360)	CALL	CALL
370179	9-100-1116	1	WHEEL, SINGLE-SIDE - (380/360)	CALL	CALL
370180	9-100-1007	1	TRANSFER PULLY DRIVE SHAFT ASSY - (380/360)	CALL	CALL
370184	K15	1	LEAF BAG - (280) ²	CALL	CALL
370185	9-100-1012	1	LEAF BAG - (380/360) ³	CALL	CALL
370186	9-100-5107	2	E-CLIP SS - (380/360)	0.71	0.86
370187	P20	1	PLUG 1/8" NPTM, PUMP	CALL	CALL
370189	9-100-3103	1	FEED HOSE 1FT - (360)	CALL	CALL

Pentair Part No.	Polaris Part No.	Qty.	Description	US List	Can. List
370198	B20	1	ADJ SCREW SWEEP HOSE - (380/360/280/180)	2.09	2.55
E25	9-100-9002	1	PRESSURE RELIEF VALVE - (380/280/180)	10.42	12.71
EC83	C83	1	TURBINE SHARFT TUBE - (280/180)	1.92	2.34
EH07	N/A	4	SWEEP HOSE, SLEEVES	3.57	4.35
L91001017	9-100-1017	1	BELT KIT, SMALL & LARGE - (380/360)	CALL	CALL
LA115	P65	2	BOLT SS, STAND TO BRACKET AND MOTOR	1.77	2.16
LA125	P25	2	NUT/BOLT SS FOR VOLUTE TO BRACKET	2.22	2.70
LA45	A45	1	FLOAT ARM REPAIR KIT - (180)	CALL	CALL
LBB91001108	9-100-1108	2	WHEEL BEARING - (380/360/340)	6.84	8.34
LC115	C115	2	ELBOW FOR TURBINE CVR OR FEED MAST TUBE	5.78	7.05
LC36	C36	1	SWING AXLE KIT (280/180)	11.52	14.06
LD45	D45	1	FEED HOSE, 10FT WHT - (380/280/180)	22.42	27.36
LD50	D50	1	LEADER FEED HOSE CLR 10FT - (380/280/180)	34.59	42.20
LL209	G5	1	FEED HOSE COMPL, WITH BACK-UP VALVE	237.56	289.82
LX10	9-100-1200	1	BACK-UP VALVE - (360)	73.28	89.41
LX17	9-100-3102	1	FEED HOSE 6FT - (360)	16.74	20.42
LX19	9-100-3002	1	SWIVEL HOSE - (360)	10.25	12.51
LX20	9-100-3109	2	HOSE NUT - (360)	6.42	7.84
LXW22	9-100-3006 9-100-3009	1	QUICK DISCONNECT UWF with Pressure Relief Valve - (360)	15.53	18.95
370239	P133	4	QUICK CONNECT FITTINGS for booster pump	CALL	CALL

¹ Required to adapt Pentair Bag to Polaris® 380/360
Includes Debris Valve

² Requires Bag Conversion Kit 370060 on initial replacement conversion kit.

³ Requires Bag 370059 on initial replacement.

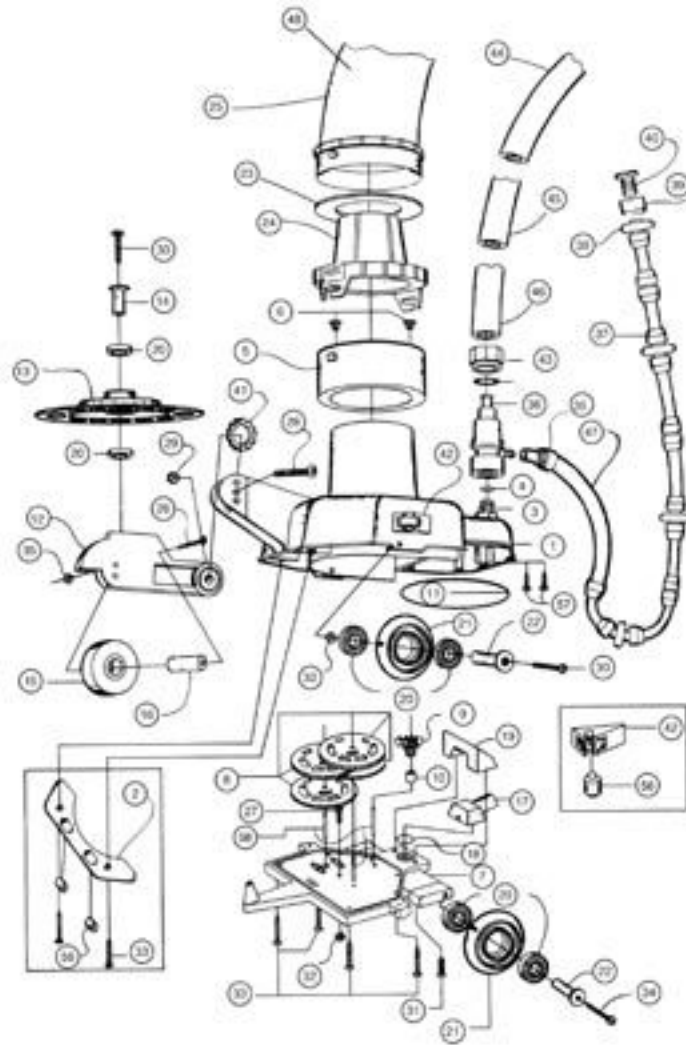
Note: These parts are manufactured by Pentair Water Pool and Spa® as replacements for designated Polaris®



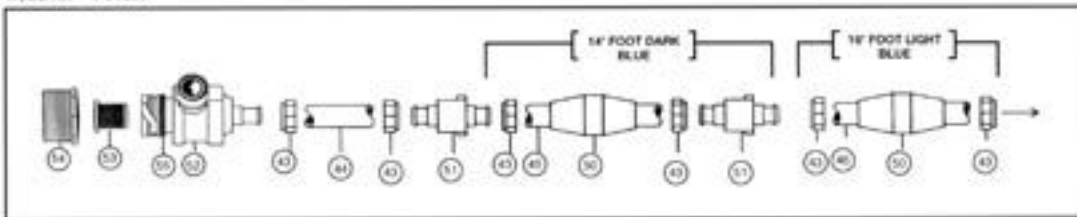
Jet-Vac® - JVI05



Replacement Parts



HOSE KIT - # JV209



Item No.	Part No.	Qty.	Description	US List	Can. List
JET-VAC -JVI05 REPLACEMENT PARTS					
1	JV2C		Venturi Shell (Blue)	152.43	185.97
2	JV2B		Deflector Assembly	20.12	24.55
3	JV3		Connector	9.15	11.17
4	EF07	2	O-Ring for JV3	1.36	1.66
5	JV4		Shell Float	53.84	65.68
6	JV4B		Adjustment Bushing for Shell Float Cover	2.60	3.17

Item No.	Part No.	Qty.	Description	US List	Can. List
7	JV5		Gear Plate	109.85	134.02
7	JV5C		Gear Plate with Gears	148.80	181.53
8	JV7	4	Gear	42.97	52.42
9	JV8		Propeller	9.31	11.36
10	JV9		Spacer for Propeller	3.70	4.51

Product on page 28.

Jet-Vac® - JV105 (Cont'd)



Replacement Parts

Item No.	Part No.	Qty.	Description	US List	Can. List
11	JV11		O-Ring for JV2C	1.72	2.10
12	JV12		Roller Arm	30.28	36.94
13	JV13		Nose Wheel	31.12	37.97
14	JV14		Nose Wheel Hub	1.98	2.42
15	JV15		S. Steel Wheel	29.14	35.55
16	JV16		Hub for S. Steel Wheel	1.79	2.18
17	JV17		Pusher Jet Nozzle	17.69	21.58
18	E18		O-Ring for Pusher Jet	2.00	2.44
19	JV19		Pusher Jet Nozzle Holder	28.04	34.21
20	LG35B	2	Bearing	15.51	18.93
21	JV21	2	Tire	6.23	7.60
22	JV22	4	Hub for Tire	7.11	8.67
23	JV29		Funnel Adapter Gasket	6.72	8.20
24	JV30		Funnel Adapter	60.56	73.88
25	JV32		Fine Silt Bag with Locking Ring	31.97	39.00
26	JV39	2	Screw for S.Steel Wheel	1.75	2.14
27	JV40	2	Screw for Gear Plate Center	1.75	2.14
28	JV41	2	Screw for Roller Arm	1.75	2.14
29	EU78	2	Nut for Roller Arm	2.60	3.17
30	JV43	3K	Screw for Front Tire Hub & Nose Wheel Hub	1.30	1.58
31	JV44	2	Screw for Pusher Jet Holder	0.81	0.99
32	JV45	5	Nut for JV43 and JV40	3.21	3.92
33	JV46	5	Screw for JV5C and JV2B	2.17	2.65
34	JV48	2	Screw for Back Tires	0.97	1.19
35	JV49		Hose Mender for Sweep Hose	2.21	2.69
36	JV50		Quick Disconnect Swivel	41.86	51.07
37	JV53	4	Hose Sleeve	4.22	5.15
38	JV54	5	Roller Ring	6.39	7.80
39	JV55		Hose Jet Collar	1.04	1.27
40	JV56		Hose Jet	1.79	2.18
41	JV61	2	Lock Washer for Roller Arm	4.51	5.50
42	JV62	2	Side Wheel Assembly	5.87	7.17
43	ED15	2	Hose, Mender - Plastic	5.78	7.05
44	JV501		2" Hose, Feeder - First Section - White	7.35	8.96
45	JV502		14" Hose, Feeder - Second Section - Dark Blue (Hard)	45.15	55.09
46	JV503		16" Hose, Feeder - Third Section - Light Blue (Soft)	52.16	63.64
47	JV52		Sweep Hose - Complete	30.31	36.98
48	JV31		Coarse Mesh Leaf Bag w/Locking Ring	31.97	39.00
50	ED10P		Feed Hose Float	5.04	6.15
51	ED05		Swivel	11.08	13.52
52	EW22		Wall Fitting - Complete	26.55	32.39
53	E24		Screen For Wall Fitting	11.91	14.53
54	E23		Quick Disconnect Adapter	3.51	4.28
55	E21	2	O-Ring For Wall Fitting	2.82	3.44
56	JV64	2	Sidewheels	2.69	3.29
57	LG10	2	Screws for JV3	1.36	1.66
58	JV6	3	Shaft	17.17	20.94

Item No.	Part No.	Qty.	Description	US List	Can. List
JET-VAC GEAR TUNE-UP KIT - JV204					
	JV204		Kit includes	65.36	79.74
	JV6	3	Shaft	17.17	20.94
	JV9	1	Spacer	3.70	4.51
	JV7	4	Gear Beige	42.97	52.42
	JV8	1	Impeller Beige	9.31	11.36
JET-VAC TUNE-UP KIT - JV205					
	JV205		Kit includes	268.13	327.12
	JV5C	1	Gear Plate w/Gears	148.80	181.53
	JV21	2	Tires - 2-PK	6.23	7.60
	LG35B	5	Bearings - 2-PK	15.51	18.93
	JV52	1	Sweep Tail - Complete	30.31	36.98
	JV11	1	O-Ring for Gear Plate	1.72	2.10
	JV32	1	Debris Bag	31.97	39.00
	JV4B	1	Adjustment Bushings	2.60	3.17
JET-VAC OVERHAUL KIT - JV206					
	JV206		Kit includes	415.59	507.02
	JV4	1	Shell Float Housing	53.84	65.68
	JV2B	1	Defector Plate w/ Rollers	20.12	24.55
	JV5C	1	Gear Plate w/Gears	148.80	181.53
	JV21	2	Tires - 2-PK	6.23	7.60
	JV30	1	Funnel Adaptor	60.56	73.88
	JV32	1	Debris Bag	31.97	39.00
	JV52	1	Sweep Tail - Complete	30.31	36.98
	JV62	1	Side Wheel - Complete	5.87	7.17
	LG35B	5	Bearings	15.51	18.93
	JV11	1	O-Ring for Gear Plate	1.72	2.10
	JV13	1	Nose Wheel	31.12	37.97
JET-VAC HOSE KIT - JV209					
	JV209		Kit includes	340.60	415.53
	JV501	1	2' Hose, Feeder - First Section/White	7.35	8.96
	JV502	1	14' Hose, Feeder - Second Section/Lt. Blue	45.15	55.09
	JV503	1	16' Hose, Feeder - Third Section/Drk. Blue	52.16	63.64
	JV52	1	Sweep Tail - Complete	30.31	36.98
	EW22	1	Wall Fitting - Complete	26.55	32.39
	ED10P	4	Floats	5.04	6.15
	ED15	3	Mender Nuts - 2-PK	5.78	7.05
	ED05	2	Swivels	11.08	13.52
	JV50	1	Disconnect Swivel with Barb	41.86	51.07
JET-VAC FEED HOSE COMPLETE - JV504C					
	JV504C		Kit includes	269.00	328.18
	JV501	1	2' Hose, Feeder - First Section/White	7.35	8.96
	JV502	1	14' Hose, Feeder - Second Section/Lt. Blue	45.15	55.09
	JV503	1	16' Hose, Feeder - Third Section/Drk. Blue	52.16	63.64
	JV52	1	Sweep Tail - Complete	30.31	36.98
	ED10P	4	Floats	5.04	6.15
	ED15	3	Mender Nuts - 2-PK	5.78	7.05
	ED05	2	Swivels	11.08	13.52
	JV50	1	Disconnect Swivel with Barb	41.86	51.07

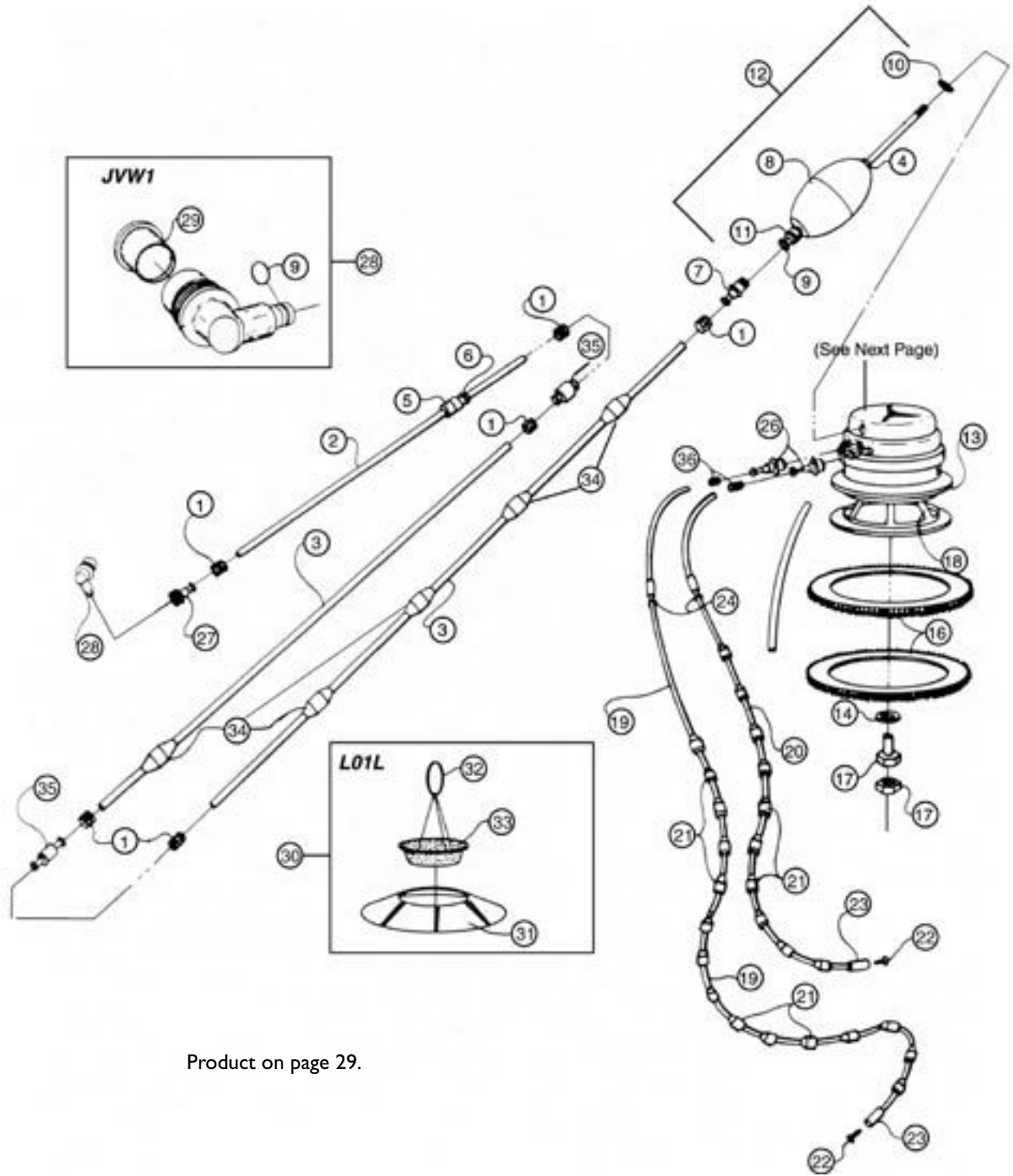
Product on page 28.



Sweep I and II



Replacement Parts

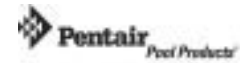


Product on page 29.

Sweep I and II (Cont'd)



Replacement Parts



Item No.	Part No.	Qty.	Description	US List	Can. List
SWEEP I AND II REPLACEMENT PARTS					
1	ED15	2	Mender Nut - Large	5.78	7.05
2	LD03A		Hose, Feeder 6' Length	24.42	29.79
3	LD03C		Hose, Feeder 16' Length	22.11	26.97
4	LD15		Float Retainer	1.98	2.42
5	LD27		Weight, Feeder Hose - Complete	36.80	44.90
6	LD30		Weight Retainer	1.82	2.22
7	LD41		Quick Disconnect Swivel	19.86	24.23
8	LF01		Oblong Float - Large	10.90	13.30
9	EF07	2	O-Ring for Hose Connector	1.36	1.66
10	LF12		Float Arm Grommet	2.60	3.17
11	LF21		Float Arm Connector	11.81	14.41
12	LF22		Float Arm Assembly	30.41	37.10
13	LG02		Bottom Shell	111.70	136.28
14	LG04		Washer - Flat Plated	1.46	1.78
16	LG09W		Housing Tire (Wide Track)	10.48	12.79
17	LG44		Jam Nut	1.69	2.06
18	LG63A		Bottom Shell Extension	20.87	25.46
19	LH05F		Floor Sweep Hose	34.53	42.13
19	LH05FR		Floor Sweep Hose w/Roller Rings ¹	45.17	55.11
19	LH15		Floor Hose w/Fittings	51.60	62.95
19	LH15R		Floor Hose w/Fittings & Roller Rings ¹	66.43	81.05
20	LH05W		Wall Sweep Hose	30.18	36.82
20	LH05WR		Wall Sweep w/Roller Rings ¹	39.76	48.50
20	LH16		Wall Hose w/Fittings	44.85	54.72
20	LH16R		Wall Hose w/Fittings & Roller Rings ¹	56.96	69.49
21	EH07	4	Hose Sleeve w/o Insert	3.57	4.35
22	EH08	2	Hose Jet	5.00	6.10
23	EH09C		Hose Jet Collar	11.34	13.84
24	LH10		Stop Rings S.S.	1.46	1.78
26	LJ27		Quick Disconnect for Sweep Hose	17.46	21.30

¹ Optional.

Item No.	Part No.	Qty.	Description	US List	Can. List
27	EJ28		Quick Disconnect for Feed Hose	16.81	20.51
28	JVW1		Wall Fitting - Complete 1-1/2in	34.47	42.05
29	EJVW2		Screen for 1-1/2in Wall Fitting	11.91	14.53
30	L01L		Leaf Basket - Complete	86.78	105.87
31	L01S		Shroud	53.48	65.25
32	L02		Harness for Leaf Basket	15.90	19.40
33	L09		Leaf Basket Only	36.93	45.06
34	ED10P		Hose Float - Small	5.04	6.15
35	ED05		Swivel	11.08	13.52
36	EB15	2	Hose Clamp	0.74	0.90
NOT SHOWN					
	LD03L		Feeder Hose - First Section w/ Floats & Fittings	79.80	97.36
	LD09		Finger Screen for 3/4" Wall Fittings	12.07	14.73
	LD10	2	Hose Washer	1.04	1.27
	LD026	2	Weight Covers	6.04	7.36
	LUC		Sweep Conversion Kit (Patent# 4784171)	117.90	143.84
	LUC1		Weight Conversion Kit	45.05	54.96
	LUC2		Hose Weight - Small	16.44	20.05
	LUC3		Hose Weight - Large	17.75	21.65
	LUCF		Float Assembly	48.71	59.43
	LW11		Wall Fitting w/Screen, 90 Degree, 3/4" mpt	36.06	43.99
	LW11A3		Wall Fitting w/Screen, adjustable, 90 Degree, 3/4" mpt	39.72	48.46
	L109		Sweep I Head Only	CALL	CALL
	L209		Sweep I Hose Box	CALL	CALL
	L209R		Sweep I Hose Box w/Roller Rings	CALL	CALL
	LG272		Internal Motor w/Gears for Arneson® II	124.07	151.36
	LG27B		Internal Motor w/Gears for Sweep I & II	124.07	151.36

Product on page 29.

NOTE: Sweep II used in Europe only.

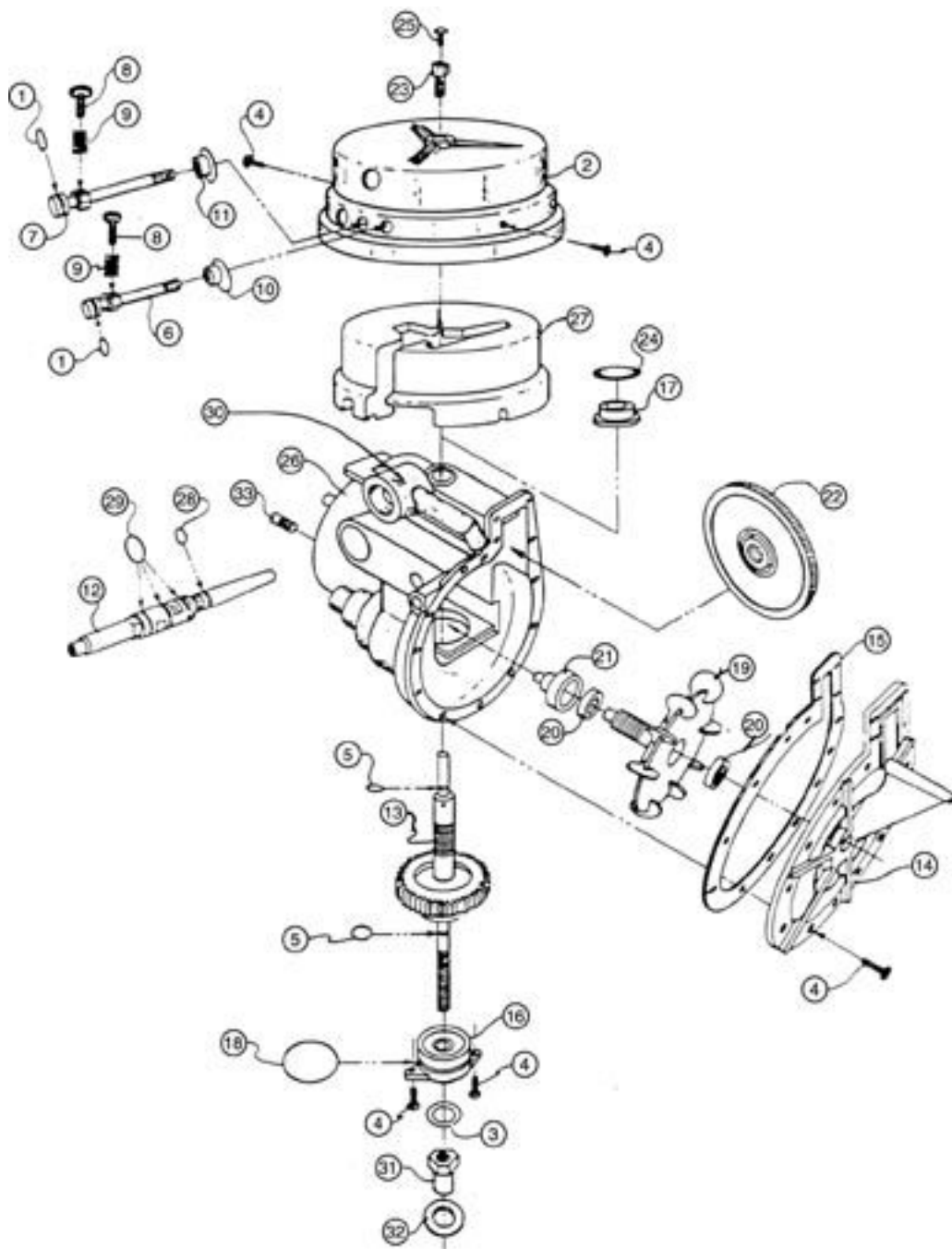
Automatic Pool Cleaner Parts



Sweep I and II - L79BL



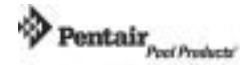
Replacement Parts



Sweep I and II - L79BL (Cont'd)



Replacement Parts



Item No.	Part No.	Qty.	Description	US List	Can. List
SWEEP I & II - L79BL REPLACEMENT HEAD PARTS					
1	EF07	2	O-Ring for Hose Connector	1.36	1.66
2	LG01BL		Top Shell	74.90	91.38
3	LG08		Spacer S.S.	0.71	0.87
4	LG10A	5	Gear Housing Screw	3.93	4.79
5	LG12	2	O-Ring for Gear Axle	1.46	1.78
6	LG13		Wall Hose Connector	16.62	20.27
7	LG14		Floor Hose Connector	21.55	26.29
8	JVW4	2	Thumb Screw	2.55	3.11
9	EG16A	2	Compression Spring	2.60	3.17
10	LG17		Grommet - Wall Hose Connector	2.82	3.44
11	LG18		Grommet - Floor Hose Connector	2.82	3.44
12	LG21C		Valve Drive Jet	30.54	37.26
13	LG26L		Gear Axle w/ Tile Rinser - Blue	32.78	39.99
14	LG28A		Gear Housing Cover	40.34	49.21
15	LG29		Gasket for G28A	3.51	4.28
16	LG30B		Lower Bearing with O-Ring	7.50	9.15
17	LG31		Axle and Impeller Thrust Bearing	2.79	3.41
18	LG32		O-Ring for Lower Bearing	1.82	2.22
19	LG33C		Turbine Wheel for G35B Blue	37.71	46.01
20	LG35B	2	Thrust Bearing	15.51	18.93
21	LG35C		Bearing Holder	6.69	8.16
22	LG36L		Valve Gear - Blue	24.66	30.09
23	LG39		Tile Rinser w/ Screw	7.11	8.67
24	LG47		Spinner Washer	0.65	0.79
25	LG49		Tile Rinser Screw	0.70	0.86
26	LG27		Gear Housing	97.13	118.50
27	LG55		Float for Cleaner Head	19.62	23.94
28	LF24	3	O-Ring for Back-up Extension	1.46	1.78
29	EJ04	3	O-Ring for Valve Drive Jet	1.40	1.70
30	PG27A		Accessory Part for G27	17.75	21.66
31	LG44		Woven Nut - Plated	1.69	2.06
32	LG04		Washer - Flat Plated	1.46	1.78
33	LG51C		Screw Thrust Adjuster	2.82	3.44



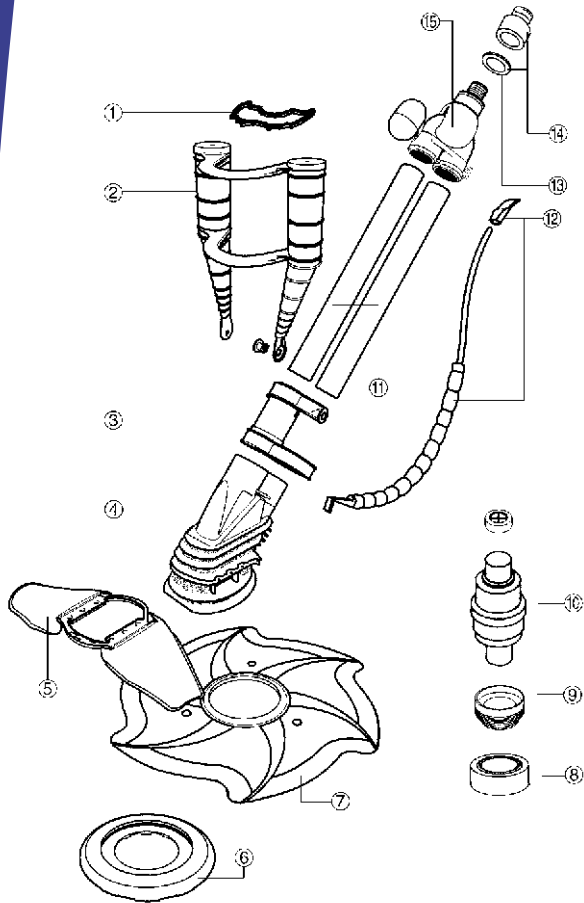
Kreepy Krauly®-2000 Model



Replacement Parts

K70400 - Starfish Seal - Concrete Pools

K70405 - Pleated Seal - Vinyl/Tile/Fiberglass Pools



Item No.	Part No.	Description	US List	Can. List
KREEPY KRAULY REPLACEMENT PARTS				
1	K12164	Dive Float Restrictor	7.53	9.19
2	K12157	Dive Float With Clips	56.19	68.55
3	K12158	Weight Holder	47.55	58.02
4	K12155	Main Body With Exchange Only	220.10	268.52
5	K12160	Wing Set	29.54	36.04
6	K12059	Foot Pad	22.95	27.99
7	K12895	Starfish Seal (for concrete pools only, not interchangeable with 1994 - 1999 model)	80.42	98.11
8	K12054	Hose Weight	12.87	15.70
9	K12079	Threaded Compression Adaptor	7.16	8.73
10	K12004	Automatic Regulator Valve (white) and cap (not interchangeable with 1994-1999 model)	58.76	71.69
11	K12163	Drive Tube Top/Bottom (1)	15.41	18.80
12	K12161	Roller Bumper Strap (includes roller bumper and end clip)	28.06	34.24
13	K12087	Bearing Washer	4.14	5.06
14	K12156C	Swivel Cone and Bearing	13.21	16.12
15	K12156	Swivel Cone Head Assembly	51.23	62.50

Product on page 30.

Kreepy Krauly® Hose & Accessories-2000 Model





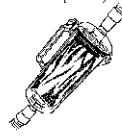




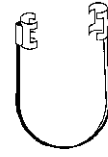

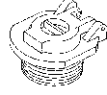
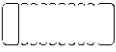
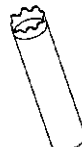
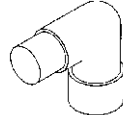

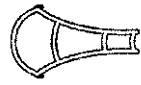
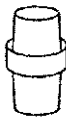
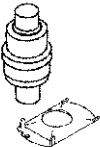





Replacement Parts



Item No.	Part No.	Description	US List	Can. List
KREEPY KRAULY HOSE & ACCESSORIES – 2000 MODEL REPLACEMENT PARTS				
1	K121110	2" Hose Cone	15.60	19.03
2	K12078	45° Hose Connector	12.12	14.78
3	K12076	Vac Plus II Locking Bar	25.30	30.87
4	K12896	Pleated Seal (for vinyl/tile/fiberglass/concrete pools)	80.42	98.11
5	R211084K	Leaf Trap with Handle (clear)	CALL	CALL
6	K121680	Eyeball Diverter	6.40	7.81
7	K121683	Eyeball Diverter Ring	3.86	4.71
8	K12182	Baffle Plate (not interchangeable with 1994-1999 models)	8.82	10.76
9	K3349	Vac Line Deflector	8.03	9.80
10	K12330	Ladder Guard	31.01	37.84
11	K121620	Wire Diverter	17.55	21.41
12	K12500	Snap-Lock Wall Fitting	41.40	50.51
13	K21241	3" Female/Female Hose (white)	6.98	8.51
13	K21241B	3" Female/Female Hose (blue)	6.40	7.81
15	K21265	Hose Protector	5.61	6.85
17	K12097	90° Hose Connector	18.36	22.40
18	K31400	Step Deflector (not for use in vinyl pools)	30.69	37.44
19	K12065	Wall Climb Adjuster	8.63	10.53
20	K121240	Hose Connector	6.18	7.54
21	K1070	Low Flow Kit	66.83	81.53
22	K12094	Manual By-Pass for Automatic Regulator Valve	10.89	13.29
23	K12142B	Vacuum Line Valve Kit	39.14	47.75
24	K70181	Flow Valve KK2000 Model (For Exchange ONLY)	19.41	23.69

Serial Number **KK070000I** and Higher.

<p>K121110 ① 2" Hose Cone</p> 	<p>K12078 ② 45° Hose Connector</p> 	<p>K12076 ③ Vac Plus II Locking Bar</p> 
<p>K12896 ④ Pleated Seal</p> 	<p>R211084K ⑤ Leaf Trap with Handle (clear)</p> 	<p>K121680 ⑥ Eyeball Diverter</p> 
<p>K121683 ⑦ Eyeball Diverter Ring</p> 	<p>K12182 ⑧ Baffle Plate</p>  <p>(not interchangeable with 1994-1999 models)</p>	<p>K3349 ⑨ Vac Line Deflector</p> 
<p>K12330 ⑩ Ladder Guard</p> 	<p>K121620 ⑪ Wire Diverter</p> 	<p>K12500 ⑫ Snap-Lock Wall Fitting</p> 
<p>K21241 (white) ⑬ K21241B (blue) 3" Female/Female Hose</p> 	<p>K21265 ⑮ Hose Protector</p> 	<p>K12097 ⑰ 90° Hose Connector</p> 
<p>K31400 ⑱ Step Deflector (not for use in vinyl pools)</p> 	<p>K12065 ⑲ Wall Climb Adjuster</p> 	<p>K121240 ⑳ Hose Connector</p> 
<p>K1070 ㉑ Low Flow Kit</p> 	<p>K12094 ㉒ Manual By-pass for Automatic Regulator Valve</p> 	<p>K12142B ㉓ Vacuum Line Valve Kit</p> 
<p>K70181 ㉔ Flow Valve for KK 2000 Model</p> 		

Automatic Pool Cleaner Parts

K01200 Complete Hose Assembly - Blue (40 ft. total length)

- 11 Sections Male/Female Hose (40")
- 1 Section Female/Female Hose (40")
- 1 Hose Protector

K21220 Replacement Blue Hose Sections 20 Pack

- 20 Sections Male/Female Hose (40")

Product on page 30.



Kreepy Krauly® - 1994 Through 1999

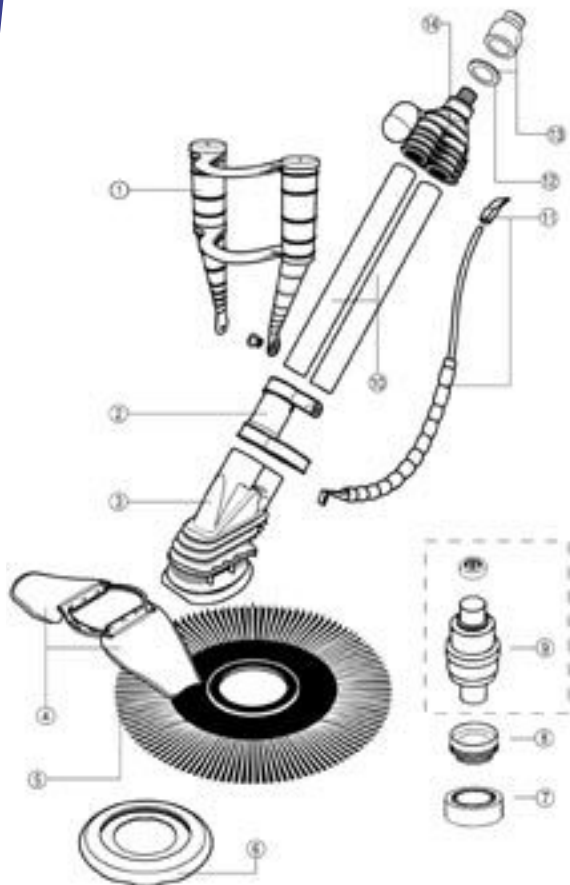


Replacement Parts

(Aqua Color, Serial Number **KK0100001 - KK0700000**)

These parts are NOT interchangeable with earlier models of Kreepy Krauly.

All interchangeable parts for the new Kreepy Krauly will be supplied in the new blue color.



Item No.	Part No.	Description	US List	Can. List
KREEPY KRAULY - 1994 THROUGH 1999 REPLACEMENT PARTS				
1	K12057	Dive Float with Clips	49.19	60.01
2	K12058	Weight Holder	44.45	54.23
3	K12055	Main Body With Exchange Only (Excludes Flapper)	220.10	268.52
4	K12060	Wing Set	29.54	36.04
5	K12894	Inground Seal	80.42	98.11
6	K12059	Foot Pad	22.95	27.99
7	K12054	Hose Weight	12.87	15.70
8	K12079	Threaded Compression Adapter	7.16	8.73
9	K12062	Automatic Regulator Valve (aqua) and cap (not interchangeable with 2000 model)	58.76	71.69
10	K12063	Drive Tube Top/Bottom (1)	15.41	18.80
11	K12061	Roller Bumper Strap (includes roller bumper and end clip)	28.06	34.24
12	K12087	Bearing Washer	4.14	5.06
13	K12056C	Swivel Cone and Bearing	13.21	16.12
14	K12056	Swivel Head Assembly	44.45	54.23

NOTE: Blue hose and blue hose weights are made for this model of Kreepy Krauly.

Kreepy Krauly® Hose & Accessories- 1994 Through 1999



Replacement Parts



(Aqua Color, Serial Number **KK0100001 - KK0700000**)
These parts are NOT interchangeable with earlier models of Kreepy Krauly.
All interchangeable parts for the new Kreepy Krauly will be supplied in the new blue color.

Item No.	Part No.	Description	US List	Can. List
KRAULY HOSE & ACCESSORIES - 1994 THROUGH 1999 REPLACEMENT PARTS				
1	K121110	2" Hose Cone	15.60	19.03
2	K12078	45° Hose Connector	12.12	14.78
3	K12076	Vac Plus II Locking Bar	25.30	30.87
4	K12097	90° Hose Connector	18.36	22.40
5	R211084K	Leaf Trap with Handle (clear)	CALL	CALL
6	K121680	Eyeball Diverter	6.40	7.81
7	K121683	Eyeball Diverter Ring	3.86	4.71
8	K12082	Baffle Plate (not interchangeable with 2000 model)	8.82	10.76
9	K3349	Vac Line Deflector	8.03	9.80
10	K12330	Ladder Guard	31.01	37.84
11	K121620	Wire Diverter	17.55	21.41
12	K12500	Snap-Lock Wall Fitting	41.40	50.51
13	K21241	3" Female/Female Hose (white)	6.98	8.51
13	K21241B	3" Female/Female Hose (blue)	6.40	7.81
14	K12094	Manual By-pass for Automatic Regulator Valve	10.89	13.29
15	K12065	Wall Climb Adjuster	8.63	10.53
16	K21265	Hose Protector	5.61	6.85
17	K31400	Step Deflector (not for use in vinyl pools)	30.69	37.44
18	K121240	Hose Connector	6.18	7.54
19	K70081	Flow Valve KK 1994-1999 model (For exchange ONLY)	19.41	23.69



Automatic Pool Cleaner Parts

K01200 Complete Hose Assembly-Blue (40 ft. total length)

- 11 Sections Male/Female Hose (40")
- 1 Section Female/Female Hose (40")
- 1 Hose Protector

K21220 Replacement Blue Hose Sections 20 Pack

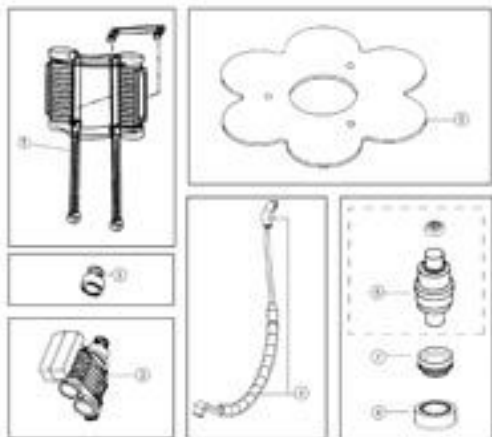
- 20 Sections Male/Female Hose (40")

Kreepy Krauly® 1993 and Earlier Models



Replacement Parts

Blue & White Color, Serial Number **91B3920** and Lower. These parts are NOT Interchangeable with the 1994 and current models of Kreepy Krauly.



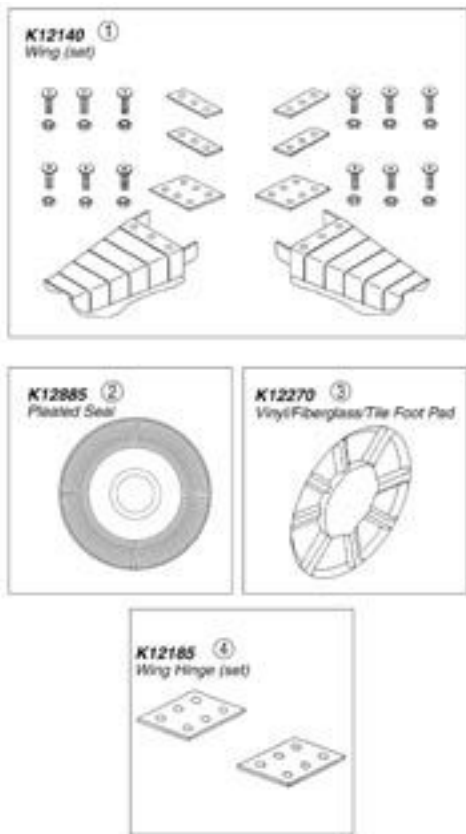
Item No.	Part No.	Description	US List	Can. List
KREEPY KRAULY 1993 AND EARLIER MODELS REPLACEMENT PARTS				
1	K12610	Dive Float with Arms and Float Restrictor	49.19	60.01
2	K12345	Swivel (Straight Barrel)	7.53	9.19
3	K12320	Swivel Housing	44.45	54.23
4	K121400	Roller Bumper "D" with End Clip	28.06	34.24
5	K12866	Flower Seal	80.42	98.11
6	K12004	Automatic Regulator Valve (white) and cap	58.76	71.69
7	K12079	Threaded Compression Adapter	7.16	8.73
8	K12054	Hose Weight Blue	12.87	15.70

Kreepy Krauly® Hose & Accessories 1993 and Earlier Models



Replacement Parts

Blue & White Color, Serial Number **91B3920** and Lower.



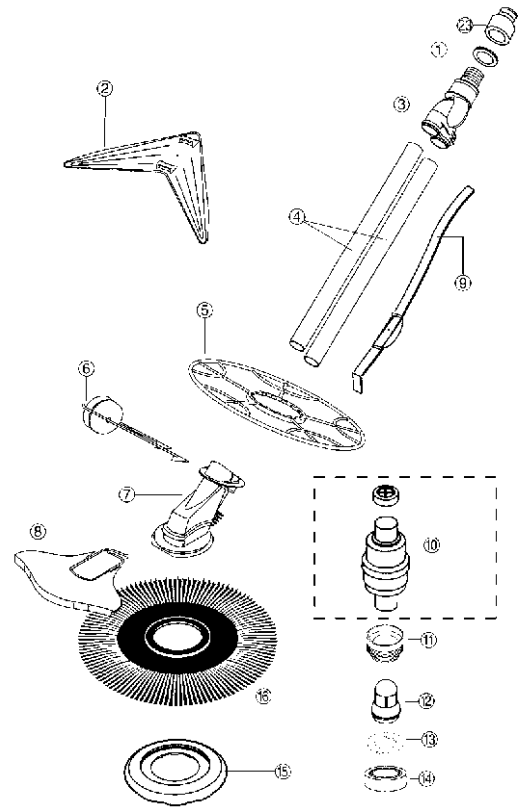
Item No.	Part No.	Description	US List	Can. List
KREEPY KRAULY HOSE & ACCESSORIES 1993 AND EARLIER MODELS REPLACEMENT PARTS				
1	K12140	Wing (set)	29.04	35.42
2	K12885	Pleated Seal	80.42	98.11
3	K12270	Vinyl/Fiberglass/Tile Foot Pad	32.71	39.90
4	K12185	Wing Hinge (set)	6.28	7.66
NOT SHOWN				
	K21120	Replacement White Hose (20 pack)	285.01	347.71
	K21241	3 in. White Female/Female Hose Section	6.98	8.51



Replacement Parts

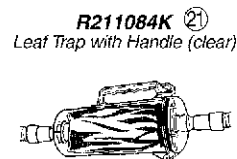
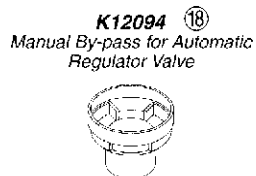
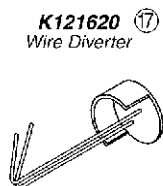


Item No.	Part No.	Description	US List	Can. List
KREEPY KADET REPLACEMENT PARTS				
1	K12087	Bearing Washer	4.14	5.06
2	K121404	Step Deflector Wing only (not for use in vinyl liner pools)	15.76	19.22
3	K12653	Swivel Head Assembly	39.49	48.18
4	K12654DB	Drive Tube top/bottom	11.77	14.36
5	K12658	Guide Wheel	24.42	29.79
6	K12656A	Float Assembly	53.42	65.18
7	K12664	Main body (Without Flapper)	208.36	254.20
8	K12661	Skirt	25.14	30.67
9	K12655W	Bumper Strap w/Weight	28.06	34.24
10	K12062	Automatic Regulator Valve and Cap	58.76	71.69
11	K12079	Threaded Compression Adapter	7.16	8.73
12	K121680	Eyeball Diverter	6.40	7.81
13	K121683	Outer Ring	3.86	4.71
14	K12054	Hose Weight	12.87	15.70
15	K12059	Foot Pad	22.95	27.99
16	K12667	Pleated Seal	80.42	98.11
17	K121620	Wire Diverter	17.55	21.41
18	K12094	Manual By-pass for Automatic Regulator Valve	10.89	13.29
19	K12078	45° Hose Connector	12.12	14.78
20	K12330	Ladder Guard	31.01	37.84
21	R211084K	Leaf Trap with Handle (clear)	CALL	CALL
22	K12500	Snap-Lock Wall Fitting	41.40	50.51
23	K12653C	Swivel Cone and Bearing Washer	5.96	7.28



K50656 Complete Vacuum Hose Assembly - Blue (32 ft. total length)

- 11 Sections Male/Female Hose (32")
- 1 Section Female/Female Hose (32")

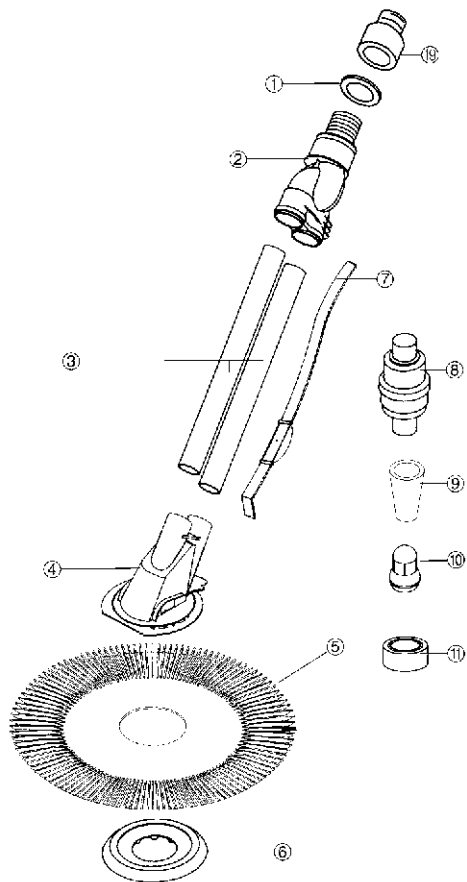


Product on page 30.



E-Z Vac®

Replacement Parts



Item No.	Part No.	Description	US List	Can. List
E-Z VAC REPLACEMENT PARTS				
1	K12087	Bearing Washer	4.14	5.06
2	K12653	Swivel Head Assembly	39.49	48.18
3	K12654	Drive Tube Top/Bottom (1)	9.73	11.87
4	K12650	Main Body (Excludes Flapper)	196.59	239.84
5	K12651	Aboveground Seal	80.42	98.11
6	K12059	Foot Pad	22.95	27.99
7	K12655	Bumper Strap with weight	28.06	34.24
8	K12062	Automatic Regulator Valve	58.76	71.69
9	K12041	Valve Cone	8.69	10.61
10	K121680	Eyeball Diverter	6.40	7.81
11	K12657	Hose Weight	19.78	24.13
12	K121683	Eyeball Diverter Outer Ring	3.86	4.71
13	K12649	Baffle Plate (not interchangeable with Kreepy Krauly inground)	8.82	10.76
14	K121620	Wire Diverter	17.55	21.41
15	K12075	Strainer Guard	15.82	19.30
16	K122022	Hose Float	CALL	CALL
17	K12094	Manual by-pass for Automatic Regulator Valve	10.89	13.29
18	K21241B	3" Female/Female Blue Hose Connector	6.40	7.81
18	K21241	3" Female/Female Hose Connector (White)	6.98	8.51
19	K12653C	Swivel Cone and Bearing Washer	5.96	7.28

K50656 Complete Hose Assembly - Blue (32 ft. total length)

- 11 Sections Male/Female Hose (32 ft.)
- 1 Section Female/Female Hose (32 ft.)

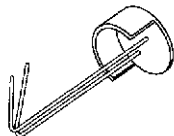
K121683 ¹²
Eyeball Diverter
Outer Ring



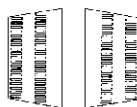
K12649 ¹³
Baffle Plate



K121620 ¹⁴
Wire Diverter



K12075 ¹⁵
Strainer Guard



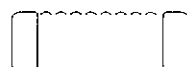
K122022 ¹⁶
Hose Float



K12094 ¹⁷
Manual by-pass for
Automatic Regulator Valve



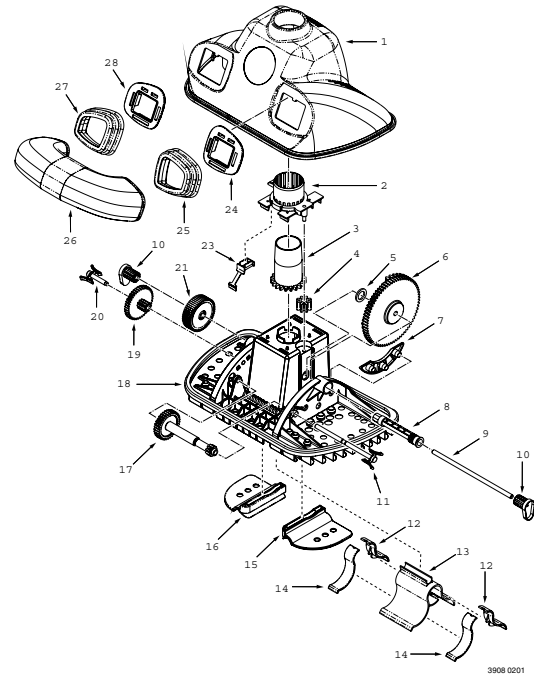
K21241B ¹⁸
3" Female/Female Blue
Hose Connector
K21241(White)



Product on page 32.



Item No.	Part No.	Qty	Description	US List	Can. List
STEERING KIT (Incl. Item #'s 2,3,4, 24)					
	GW7505		Steering Kit For Model GW7500	CALL	CALL
	GW7515		Steering Kit For Model GW7700	CALL	CALL
2		1	Swivel Housing		
3		1	Swivel		
4		1	Swivel Sprocket		
23		1	Clutch Clip		
CLUTCH KIT (Includes Item #'s 5, 8, 21)					
	GW7503		Clutch Kit	CALL	CALL
5		1	Oscillator Sleeve Bushing		
8		1	Oscillator Sleeve		
21		1	Clutch Assembly		
GEAR KIT (Includes Item #'s 6, 10, 11, 17, 19, 20)					
	GW7504		Gear Kit	CALL	CALL
6		1	Large Steering Drive Assembly		
10		2	Shaft Plug		
11		1	Long Sprocket Clip		
17		1	Drive Shaft Assembly		
19		1	Center Sprocket		
20		1	Short Sprocket Clip		
OSCILLATOR KIT (Includes Item #'s 12, 13, 14)					
	GW7502		Oscillator Kit	CALL	CALL
12		2	Small Sliding Seal		
13		1	Oscillator		
14		2	Large Sliding Seal		
SEAL FLAP KIT (Includes Item #'s 15, 16)					
	GW7506			CALL	CALL
15		1	Right Seal Flap		
16		1	Left Seal Flap		
BUMPER KIT (Includes Item #'s 24, 25, 26, 27, 28)					
	GW7511		Bumper Kit For Model GW7700	CALL	CALL
	GW7501		Bumper Kit For Model GW7500	CALL	CALL
24		1	Right Bumper Boot Clip		
25		1	Right Bumper Boot		
26		1	Bumper		
27		1	Left Bumper Boot		
28		1	Left Bumper Boot Clip		
ACCESSORIES					
18	41201-0242	1	Chassis with Pad For Model GW7500	97.05	118.40
18	41201-0242C		Chassis with Pad For Model GW7700	97.05	118.40
NOT SHOWN					
	77705-0400	1	Accessory Kit	CALL	CALL
	GW9540	1	Short Extension Hose	CALL	CALL
	41201-0252	1	Suction Hose, 1 Meter Segments	11.84	14.44
	41200-0213	1	Valve, Regulator	38.25	46.66
	41200-0212		Flow Gauge	19.43	23.71

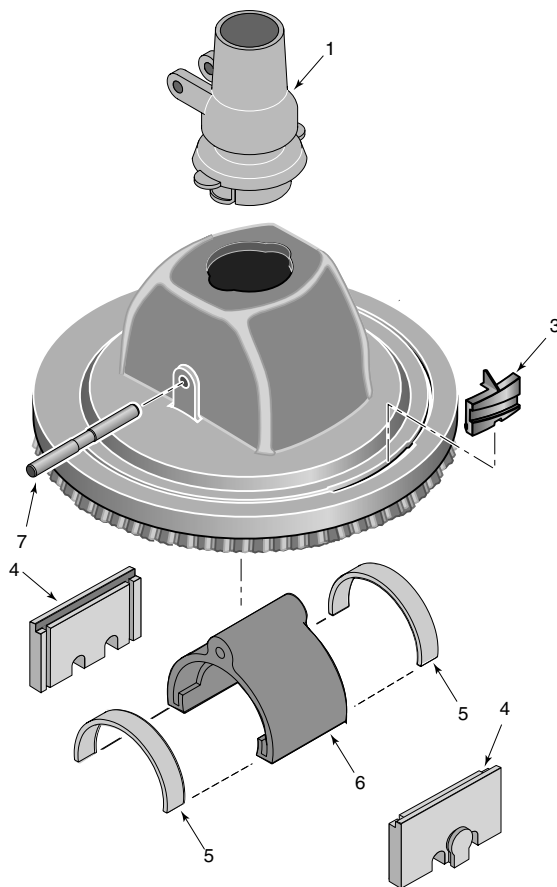


Product on page 31.



'Lil Shark™

Replacement Parts



Item No.	Part No.	Qty	Description	US List	Can. List
LIL SHARK REPLACEMENT PARTS					
1	GW9012	1	Swivel Assembly	17.56	21.42
3	41100-0026	1	Ring Adjuster	5.31	6.48
4	41100-0027	1	Oscillator Impact Bumper (Pkg of 2)	8.00	9.76
5	GW9004	1	Oscillator Seals (Pkg of 2)	8.93	10.90
6	GW9003	1	Oscillator Kit (Includes Seals)	55.08	67.20
7	GW9002	1	Axle Shaft	12.96	15.81
NOT SHOWN					
	GW9014	1	Flow Director	13.53	16.50
	GW9018	1	Vacuum Regulator	9.80	11.96
	GW9015	1	Reducer Cone	13.88	16.93
	GW9019	1	Unidapt Handle	7.52	9.18
	GW9510	1	Replacement Hose Kit (Includes 1 each 20', 8' and 4' Hose)	CALL	CALL
	GW9521	1	20' Vacuum Hose	CALL	CALL
	GW9511	1	8' Vacuum Hose	CALL	CALL
	GW9519	1	4' Vacuum Hose	CALL	CALL

Note: If body fails, order GW8000

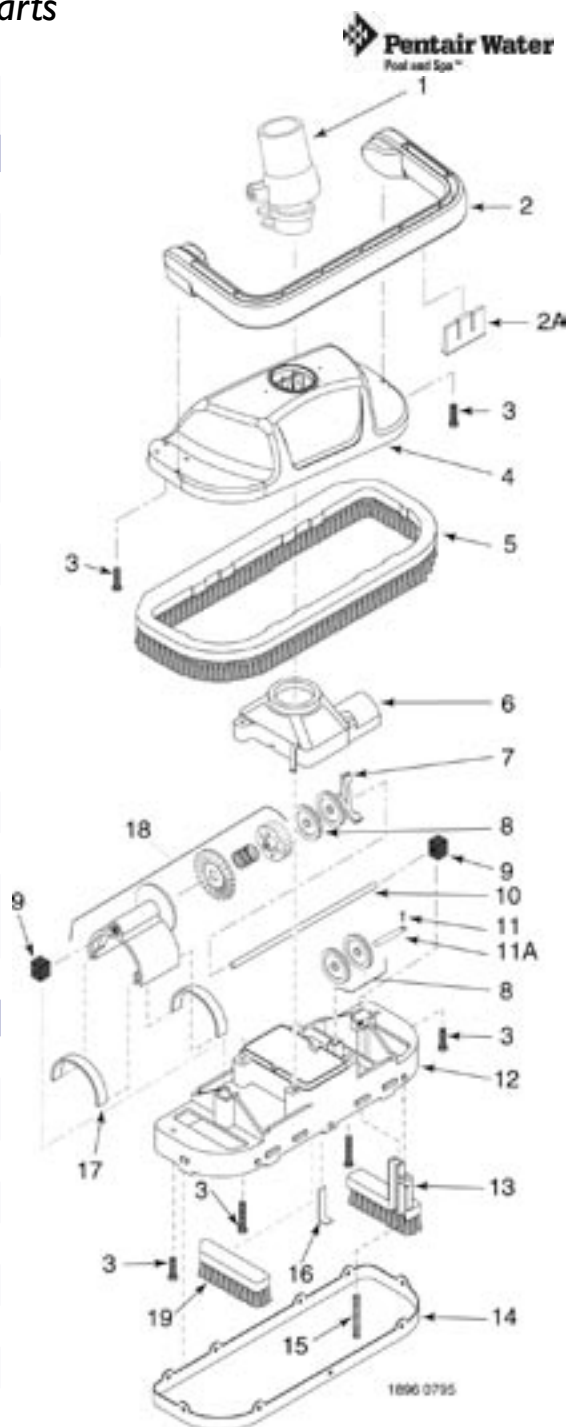
Product on page 32.

Great White®

Replacement Parts



Item No.	Part No.	Description	US List	Can. List
GREAT WHITE REPLACEMENT PARTS				
1	GW9012	Swivel Assembly	17.56	21.42
2	GW9502	Bumper	56.71	69.18
3	GW9504	Screw Kit (4 short, 2 long)	CALL	CALL
4	GW9501	Shroud	97.80	119.32
5	GW9505	Brush Ring Kit (Includes Vacuum Skirt)	66.71	81.39
6	GW9506	Oscillator Chamber Cap	28.37	34.61
7	GW9507	Cam Kit (2 & 3 Leg Cams)	20.01	24.42
8	GW9509	Idler Gear Kit (Includes 3 Gears)	CALL	CALL
9	GW9512	Block Kit (Includes 2 Blocks)	CALL	CALL
10	GW9513	Long Gear Shaft (Stainless Steel)	28.35	34.59
11A	GW9536	Shaft Kit (Stainless Steel) ¹	CALL	CALL
12	GW9535	Lower Body	71.43	87.14
13	GW9517	Lift Brush	22.68	27.67
14	GW9508	Vacuum Skirt	16.04	19.57
15	GW9522	Lift Brush Spring	4.27	5.21
16	GW9523	Ratchet Tab (Stainless Steel)	6.53	7.97
17	GW9004	Oscillator Assembly Kit (Includes 2 Seals)	8.93	10.90
18	GW9503	Oscillator Assembly Kit (Includes Key #17, Ratchet Ass'y not sold separately)	CALL	CALL
19	GW9013	Center Brush Kit (Set of 2)	CALL	CALL
NOT SHOWN				
	GW9527	Ratchet Tab Service Kit	CALL	CALL
	GW9510	Replacement Hose Kit (Includes 1 each 20', 8' and 4' Hose)	CALL	CALL
	GW9521	20' Vacuum Hose	CALL	CALL
	GW9511	8' Vacuum Hose Extension	CALL	CALL
	GW9519	4' Vacuum Hose Extension	CALL	CALL
41200-0213		Vacuum Regulator and Cap	38.25	46.66
	GW9015	Reducer Cone	13.88	16.93
	GW9019	Unidapt Handle	7.52	9.18
	GW9540	Short Extension Hose	CALL	CALL
	K12500	Vac Port Fitting	41.40	50.51
41200-0212		Flow Gauge	19.43	23.71



Product on page 31.

¹ Includes Set Screw (item #11)



Cross Reference Guide for Universal Part Numbers

UNIVERSAL PART #	PM	OLD LEGEND PART #	OLD LEGEND II PART #	OLD JETVAC PART #	POLARIS® PART #	SWEEP I & II PART #	DESCRIPTION
E10	*	LL10			L10		Back Up Valve - Complete
E11	*	LL11			L11		Back Up Valve - Housing Body
E12	*	LL12	LX12		L12		Back Up Valve - Housing Top Cover
E13	*	LL13	LX13		L13		Back Up Valve - O-Ring for Housing Body
E14	*	LL14	LX14		L14		Back Up Valve - O-Ring for Gear Assembly
E15	*	LL15	LX15		L15		Back Up Valve - Screw for Housing Body
E18	*	LLC140	LXC140	JV18	LC140		O-Ring for Pusher Jet & Thrust Jet
E21	*	LL21	LX21	JV20			O-Ring for Wall Fitting & Hose Mender
E23	*	LL23	LX23	JV23	L23		Wall Fitting - Quick Disconnect Adapter (EW22)
E24	*	LL24	LX24	JV24	L24		Wall Fitting - Screen (EW22)
E25	*	LL25		JV25	L25		Wall Fitting - Pressure Relief Valve-Red (EW22)
EA20	*	LLA20W	LXA20		LA20		Ballast Float - White
EA30	*	LLA30	LXA30				Replacement Screw
EA40	*	LLA40	LXA40		LA40P		Turbine Shaft Shield
EB10	*	LLB10	LXB10		LB10		Wear Ring
EB15	*	LLC125	LXC125		LB15		Sweep Hose - Clamp
EB20	*	LLB20	LXB20		LB20		Sweep Hose - Adjustment Screw & Drain Plug
EB25	*	LLB25	LXB25		LB25		Sweep Hose - Jet w/ Collar
EB5L	*	LLB5	LXB5		LB5		Sweep Hose - Complete
EC10		LLC10			LC10		Tire - Non-Ribbed
EC110	*	LLC110			LC110		Turbine Cover
EC120	*	LLC121	LLC121				Hose - 7 3/4 in. Length
EX120	*	LLC120			LC120		Hose - 9 in. Length
EC130	*	LLC130			LC130		Thrust Jet
EC131	*	LLC131			LC131		Thrust Jet Repair Kit
EC135	*	LLC135			LC135		Jet Plate
EC16		LLC16			LC16		Small Wheel
EC25		LLC25			LC25		Replacement Spring
EC30		LLC30			LC30		Replacement Screw - to Axle
EC32		LLC32			LC32		Replacement Screw - to Body
EC36H		LLC36H			LC36H		Swing Axle Hardware Kit
EC40	*	LLC40	LXC40		LC40		Screw
EC45	*	LLC45	LXC45		LC45		Lock Washer
EC55	*	LLC55	LXC55		LC55		Wheel Screw
EC60		LLC60	LXC60		LC60		Ball Bearing
EC64	*	LLC64	LXC64		LC64		Wheel Washer
EC65	*	LLC65	LXC65		LC65		Axle - Large
EC6L		LLC6	LXC6				Wheel - Large
EC70	*	LLC70	LXC70		LC70		Axle Plate
EC80		LLC80	LXC80		LC80		Ball Bearings - Turbine
EC83	*	LLC83	LXC83				Turbine Spacers
EC86	*	LLC86	LXC86		LC86		Turbine Shaft
ED05	*	LLD20		LD05	LD20		Swivel for Feed Lines
ED10P	*	LLD10			LD10P	SO38	Float for Feed Lines



Cross Reference Guide for Universal Part Numbers (Cont'd)

UNIVERSAL PART #	PM	OLD LEGEND PART #	OLD LEGEND II PART #	OLD JETVAC PART #	POLARIS® PART #	SWEEP I & II PART #	DESCRIPTION
ED15	*	LLD15			LD15P	LD02	Mender Nut
ED45	*	LLD45			LD45		Feed Hose - White 11 ft. 2 in.
ED50	*	LLD50			LD50		Feed Hose - Clear 7 ft. 8 in.
EF07		LLF07			LF07		O-ring for Wall Fitting (EJVW1A)
EG15	*	LL16			L16		Back Up Valve - Gear Assembly (E10)
EG16A		LLG16A			LG16A		Compression Spring
EH07	*	LLH07	LXH07		LH07		Hose Sleeve w/o Insert
EH08					LB08N	LH08N	Hose Jet
EH09C	*	LLB2	LXB2		LB2	LH09C	Sweep Hose - Weight
EJ04						LJ04	O-Ring for Valve Drive Jet
EJ28		LLJ28		LJ28		LJ28	Feed Hose - Quick Disconnect
EJVW1A		LLJVW1A		JVW1A			Wall Fitting - Complete - Old Style
EJVW2		LLJVW2		JVW2		JVW2	Wall Fitting - Screen - (EJVW1A)
EU10N	*	LLU10N	LXU10N				Bottom Cover w/ Bracket (4-Wheel Only)
EU13	*	LLU13	LXU13				Step Adapter
EU147	*	LLU147	LXU147				Snap Fit Vac Tube Post
EU15	*	LLU15	LXU15				Bag - Coarse Mesh - Universal
EU16	*	LLU16NBK	LXU16				Bag - Fine Mesh - Universal
EU7	*	LLU7	LXU7				O-Ring for Feed Mast
EU76	*	LLU76	LXU76				Bolt for Axles
EU77	*	LLU77	LXU77				Bolt for Feed Mast & Vac Tube
EU78	*	LLU78	LXU78	JV42			Nut for Roller Arm & Feed Mast & Vac Tube
EU79	*	LLU79	LXU79				Nut & Bolt - Feed Mast & Vac Tube
EU80	*	LLU80	LXU80				Screw - Cover to Frame
EU9	*	LLU9	LXU9				Debris Valve
EW22	*	LLW22		JVW22	LW22		Wall Fitting - Complete - New Style

"PM" denotes part #'s for Legend Platinum White/Grey unit.

"*" denotes "use Universal Part Number"